



DESCRIPTION

The dead-front cover plates cover unused card positions in enclosures equipped with dead-front door panels. The plates are made of 18 gauge steel with a baked on enamel finish (red or black).

Cover plate options:

- Single Card Cover Plate (P/N 10-2697-**c**)
- Two Card Cover Plate (P/N 10-2774-**c**)
- Three Card Cover Plate (P/N 10-2775-**c**)
- Four Card Cover Plate (P/N 10-2776-**c**)
- Five Card Cover Plate (P/N 10-2701-**c**)
- Fire-Phone Cover Plate (P/N 10-2766-**c**)

Where **c** = plate color (**R** = Red and **B** = Black)

INSTALLATION

Slide the cover plate's mounting holes over the threaded press studs provided on the dead-front panel. Attach the plate with the hex nuts sold separately.

- Kit, hex-nuts and washers (qty. 30)
P/N 02-4035

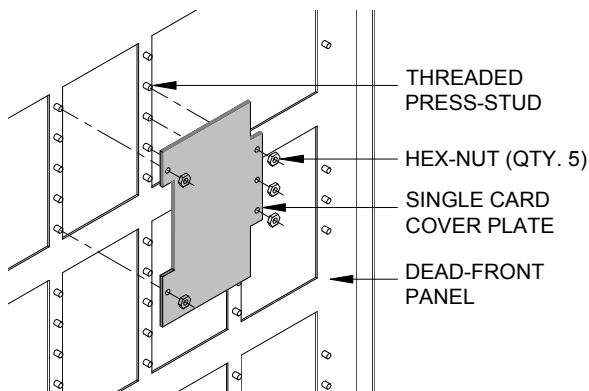


Exhibit 1: Single Card Cover Plate

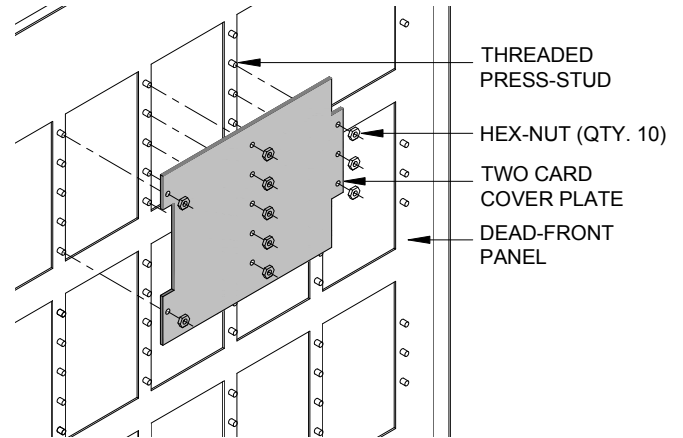


Exhibit 2: Two Card Cover Plate

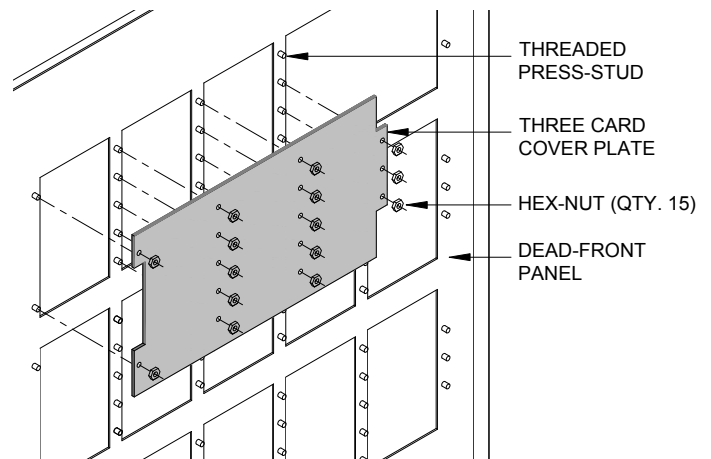


Exhibit 3: Three Card Cover Plate

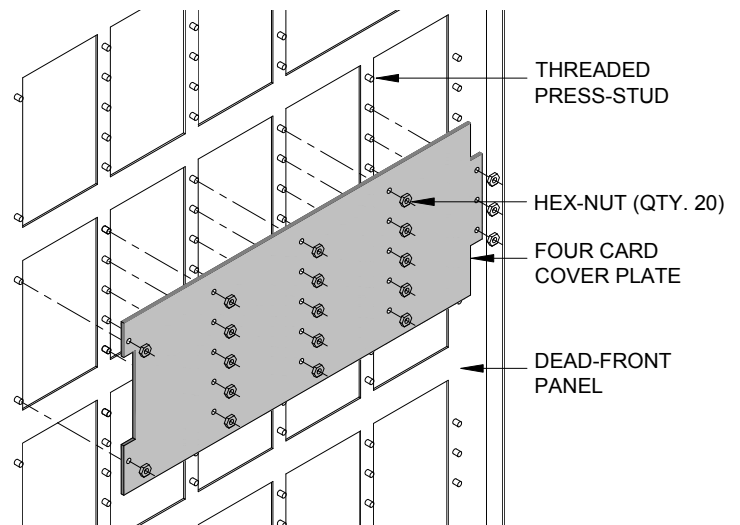


Exhibit 4: Four Card Cover Plate

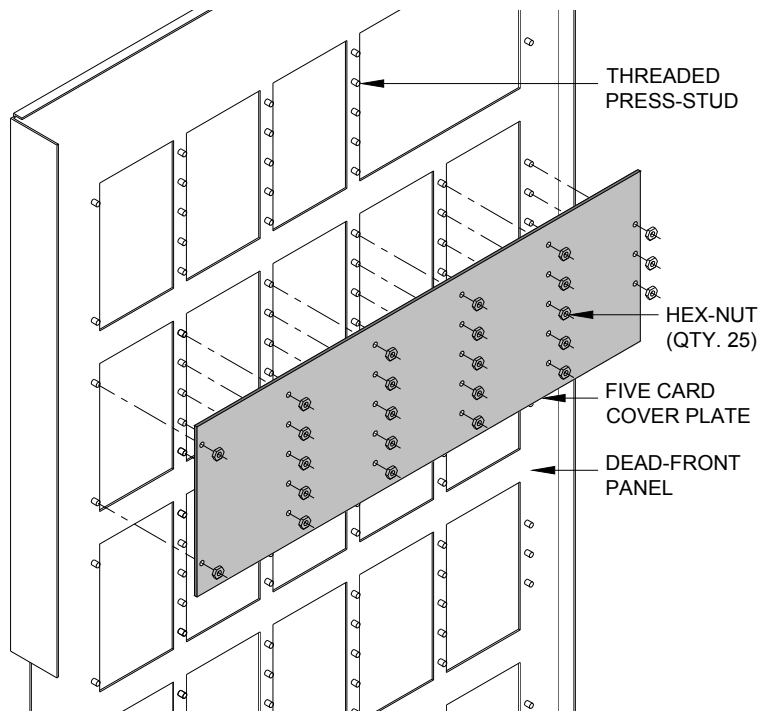


Exhibit 5: Five Card Cover Plate

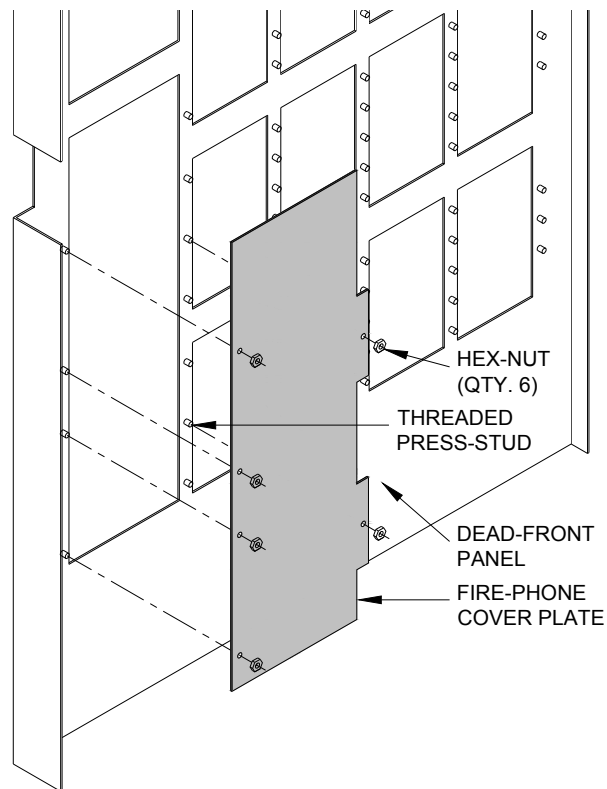


Exhibit 6: Fire-Phone Cover Plate