

## REMOTE AUDIO ENCLOSURE - 3 AMP

### DESCRIPTION

The 3 AMP, Remote Audio enclosure is designed to house up to three voice evacuation system amplifiers. The enclosure allows the voice evacuation system amplifiers to be strategically located near the areas that they serve, thus reducing the wire length of the speaker circuits.

The enclosure is made of 18 gauge steel with a baked on enamel finish (red or black). It is designed so that it can be surface or flush mounted to the wall. Numerous conduit knockouts are provided on all four sides of the enclosure to allow easy access to the cabinet during system installation. Threaded press-studs are supplied in the enclosure back-box for easy installation of electronic components (i.e., amplifiers and transformers). The removable exterior door is hinged on the left side of the back-box and is equipped with a key-lock to prevent unauthorized access to system components.

### ENCLOSURE CAPACITY

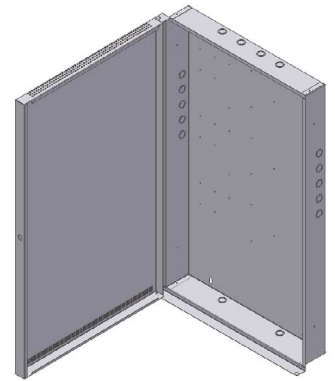
The enclosure can house the following system components:

- Amplifier Card, P/N 10-2726 (qty. 3)
- Amplifier Transformers (3 power, 3 audio transformers)
- Two 18 AH batteries (maximum)

*Note: Two 18 AH batteries will provide battery backup for up to three amplifiers. A separate battery enclosure (P/N 10-2154) and second set of 18 AH batteries must be installed if more than three amplifier cards are required.*

### ORDERING INFORMATION

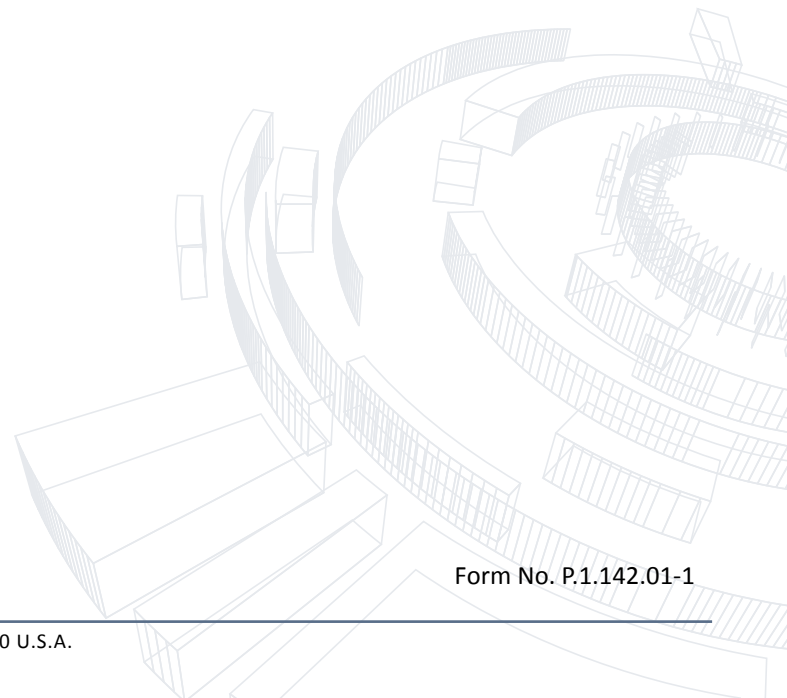
| Fike P/N  | Description                        |
|-----------|------------------------------------|
| 10-2754-R | Red 3 AMP Remote Audio Enclosure   |
| 10-2754-B | Black 3 AMP Remote Audio Enclosure |



**3 AMP Remote Audio Enclosure**

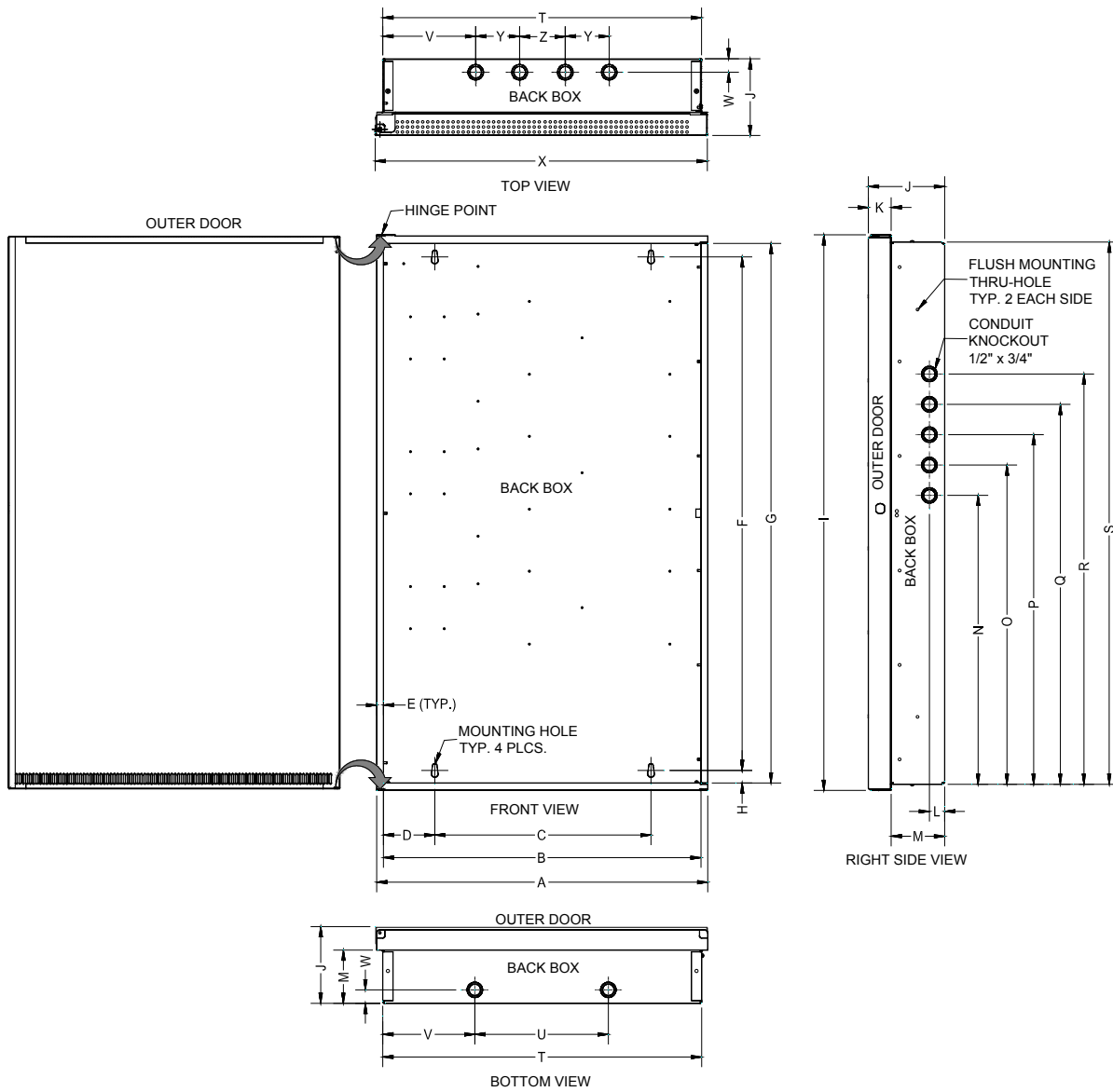
### APPROVALS:

- UL - S3217
- FM - 3038846
- CSFM - 7165-0900:0137
- City of New York - 6063



Form No. P.1.142.01-1

# ENCLOSURE DIMENSIONS



| Enclosure Dimensions<br>inches (cm) |              |   |              |   |              |
|-------------------------------------|--------------|---|--------------|---|--------------|
| A                                   | 24.50 (62.2) | J | 5.68 (14.43) | S | 40.20 (76.7) |
| B                                   | 23.50 (59.7) | K | 1.73 (4.4)   | T | 23.60 (60)   |
| C                                   | 16.00 (40.6) | L | 1.125 (2.9)  | U | 9.88 (25.1)  |
| D                                   | 3.80 (9.7)   | M | 3.95 (10)    | V | 6.81 (17.3)  |
| E                                   | 0.50 (1.27)  | N | 15.10 (38.4) | W | 1.00 (2.54)  |
| F                                   | 28.14 (71.5) | O | 17.35 (44.1) | X | 24.60 (62.5) |
| G                                   | 30.00 (76.2) | P | 19.60 (49.8) | Y | 3.25 (8.3)   |
| H                                   | 0.93 (2.36)  | Q | 21.85 (55.5) | Z | 3.38 (8.6)   |
| I                                   | 41.20 (81)   | R | 24.10 (61)   |   |              |