

## AUDIO ADJUNCT PANEL (1 AMP)

### DESCRIPTION

The Audio Adjunct Panel (AAP1), P/N 10-2831, is a compact and cost-effective digital audio panel that allows emergency communication system (ECS) operations to be added to CyberCat® 50 fire alarm control panels equipped with firmware version 6.00 or higher. The modular design of the AAP1 allows the command and control features (LOC) to be located directly adjacent to the fire alarm control panel while allowing the system amplifier to be centrally located within the protected premises; thus reducing the overall length of the speaker circuits.

### LOCAL OPERATING CONSOLE (LOC)

The LOC consists of a paging control card and paging microphone housed in an 18 gauge steel enclosure. The LOC provides thirteen configurable switches that can be used to provide a simple user interface to the emergency communication system, allowing responding personnel to quickly and accurately convey live or prerecorded fire or mass notification commands to building occupants. The LOC does not have fire-fighter's phone capabilities. The LOC requires 24 VDC operating power either from the CyberCat 50 panel or from battery-backed, regulated, power-limited power supply listed for Fire Protective Signaling Use. LOC command and control interface is accomplished via connection to the CyberCat 50 panel's RS485 peripheral bus.

### AMPLIFIER

The AAP1 audio adjunct panel includes a single, 50 watt, 25 or 70 Vrms audio amplifier housed in an 18 gauge steel enclosure. The amplifier is equipped with four speaker circuits that can be wired Class B or Class A with optional Class A card. The amplifier is capable of communicating information to a single audio zone (single channel) in order to facilitate an appropriate response and action to a fire or emergency event. Each amplifier is capable of storing up to sixteen (16) individual, custom audio messages (maximum 30 seconds in length) and tones in a digital format for playback on the board's internal memory. The amplifier's integral power supply (120/240) and battery charger are capable of charging up to 18 AH batteries for standby operation. The amplifier must be connected to the panel's RS485 peripheral bus for command and control interface and the LOC's audio bus for paging interface.

### FEATURES

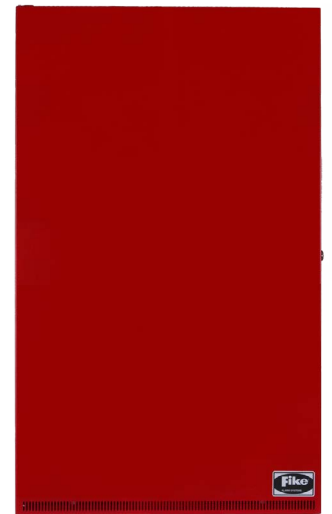
- Compatible with Fike's CyberCat 50 control panel (firmware v6.0 or higher)
- Listed to UL Standard 864, 9th edition and UL 2572
- Integral 50 watt, 25 or 70 Vrms audio amplifier with four Class B or Class A speaker circuits
- Integral paging control card that provides thirteen programmable switches to enable manual evacuation and paging capabilities
- Automatic activation by the CyberCat 50 panel using the RS485 peripheral bus connection
- Integral paging microphone
- Stores up to sixteen custom messages (i.e. fire, tornado, evacuation, hazmat, multi-language, etc.), maximum 30 seconds long
- Integral back-up amplifier circuit
- Integral 24 VDC notification appliance circuit
- 18 gauge steel enclosures with key-lock

### CABINET DIMENSIONS

LOC: Door Dimensions: 11.70" (29.7 cm) high x 15.00" (38.1 cm) wide x 1.5" (3.81 cm) deep  
 Backbox Dimensions: 10.75" (27.3 cm) high x 14.09" (35.8 cm) wide x 3.95" (10.0 cm) deep  
 AMP: Door Dimensions: 21.15" (53.71 cm) high x 15.50" (39.37 cm) wide x 1.5" (3.81 cm) deep  
 Backbox Dimensions: 20.20" (51.30 cm) high x 14.59" (37.06 cm) wide x 3.95" (10.04 cm) deep



Local Operating Console



Single Amp Enclosure

### APPROVALS:

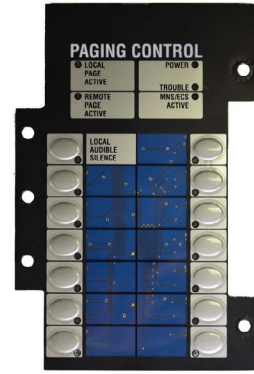
- UL - S3217



## AAP1 ACTIVATION

The connection of the AAP1 components to the CyberCat 50 RS485 peripheral bus allows it to automatically activate the audio adjunct amplifier based on the CyberCat 50's zone and state relationships. Each amplifier card can be programmed to play one of its stored audio messages through any its four speaker circuits based on an active state and zone. For example: When an alarm is detected, the associated zone and state information is transmitted over the RS485 bus to each amplifier card. If the amplifier card has been programmed to activate in response to the system event, the assigned audio message is decompressed and played through the speaker circuits. Amplifiers not programmed to respond to the event will remain off unless programmed to play either the default ALERT message or an alternate custom message.

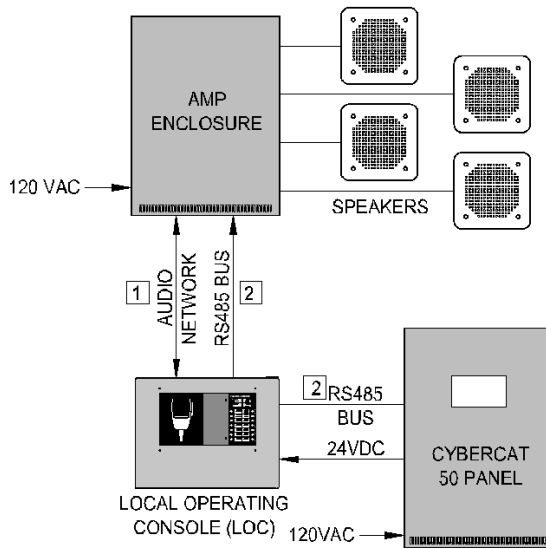
The AAP1 may also be manually activated using the LOC paging control card switches. Each of the thirteen custom switches can be individually configured to execute any of the following fire and/or mass notification functions when pressed (i.e., voice Alert, voice EVAC, voice page, voice record page, voice page to Alert, voice page to EVAC, Voice play message ID, MNS reset, MNS silence, MNS page, MNS record page, and MNS play message ID). An LED is associated with each switch to provide positive indication of the status of the switch and the executed function.



Paging Control Card

### Controls and Indicators

- Local Page Active (green)
- Remote Page Active (red)
- Power (green)
- Trouble (yellow)
- MNS/ECS Active (red)
- Local Audible Silence (red)
- Custom Switches (red)



NOTES:

1. BELDEN 9841 (OR EQUAL); MAXIMUM 4,000 FT.; CLASS A; NO T-TAPPING.
2. BELDEN 9841 (OR EQUAL); MAXIMUM 4,000 FT.; NO T-TAPPING.

## ORDERING INFORMATION

Fike P/N	Description
10-2831-1-1-01-0-1-01	Single Amp Audio Adjunct Kit*, 120V
10-2831-2-1-01-0-1-01	Single Amp Audio Adjunct Kit*, 240V

\* Kits include the following: power transformer, single amp enclosure, LOC enclosure without RDU, LOC paging control assembly, LOC microphone housing assembly, (1) amplifier kit