

CLASS A PERIPHERAL CARD

DESCRIPTION

The Class A Peripheral Bus Card (P/N 10-2792) provides a means to wire the host control panel's RS485 peripheral bus and 24 VDC power circuits to remote peripheral devices in a Class A configuration. The card is compatible with Fike's CyberCat® and Cheetah® Xi control panels equipped with firmware 6.xx and higher.

The card is a peripheral device itself and will take up one of the 31 available device addresses when connected to the host control panel's RS485 peripheral bus. The output voltage supplied by the card to the peripheral devices will equal the voltage supplied by the connected auxiliary power circuit. The card monitors both the RS485 and 24 VDC output circuits and will transmit a trouble condition to the host control panel upon loss of peripheral bus communication or loss of DC power.

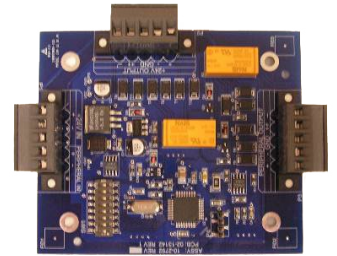
The card can be mounted in the control panel enclosure in the same location that is used by the secondary power transformer, MIM, or Ethernet cards; however, only one of these devices can be installed at this mounting location at a time. If the card cannot be mounted within the control panel enclosure, a peripheral bus card assembly (P/N 10-2818, see ordering information below) must be ordered. The assembly allows the card to be mounted external to the enclosure and includes the Class A peripheral bus card and mounting enclosure.

SPECIFICATIONS

Power Consumption:	57mA (standby) 57mA (alarm)
Operating Temperature:	32°F to 120°F (0°C to 49°C)
Operating Humidity:	93% RH, non-condensing
Card Dimensions (L x W x D):	4.125" x 3.5" x 2" (10.5cm x 8.9cm x 5cm)
Enclosure Dimensions:	See reverse side
+24V IN (P1):	Removable terminal block 15-30V input supplied by host control panel Accepts 12-26 AWG
Peripheral IN (P1):	Removable terminal block RS485 peripheral bus connection Accepts 12 – 26 AWG
+24V Output (P2):	Removable terminal block 24 VDC Class A power output, 15 – 30V Output voltage = Input voltage Accepts 12 – 26 AWG
Peripheral Output (P3):	Removable terminal block Class A RS485 peripheral bus output 30 peripheral devices maximum Accepts 12 – 26 AWG Belden 9841 cable or equivalent 4000 ft. (1219 m) max. length 100Ω maximum impedance 0.05 μF maximum capacitance 9600 bps, 5 VDC, 1 mA No t-tapping

ORDERING INFORMATION

Fike P/N	Description
10-2818-1-0-01-0-1-01	Class A Peripheral Card Assembly Kit



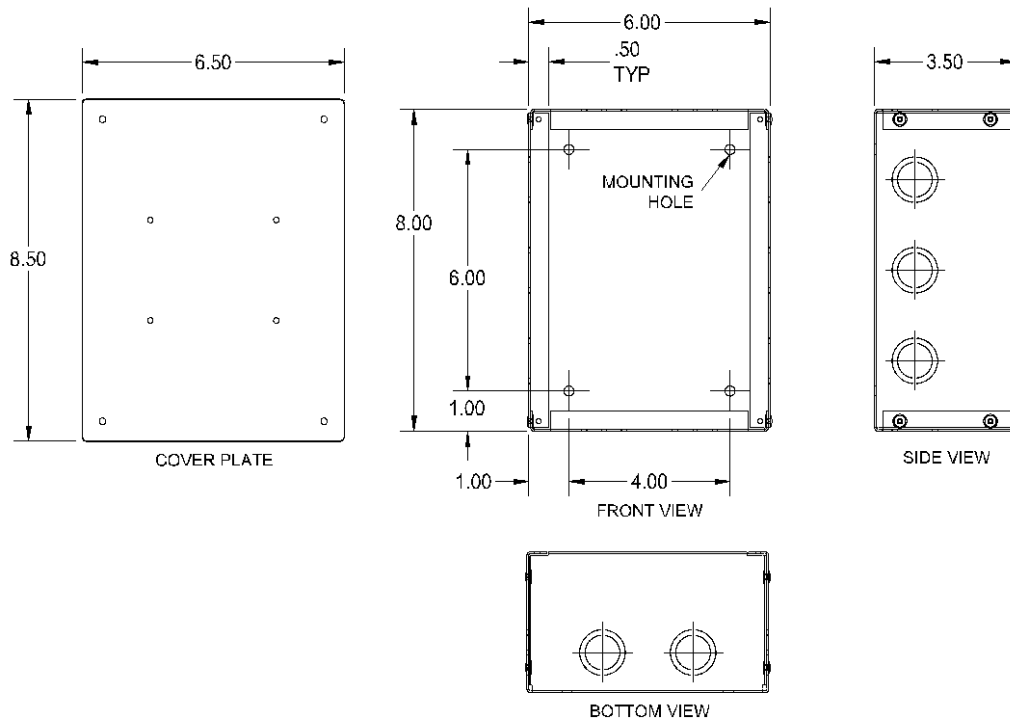
Class A Peripheral Card

APPROVALS:

- UL - S2203
- FM
- CSFM - 7165-0900:0137
- City of Chicago - High Rise



ENCLOSURE DIMENSIONS



WIRING DIAGRAM

