



DESCRIPTION

The FCC paging control card (P/N 10-2741) provides the primary operator interface for Fike's emergency communication system (ECS). The card features switches with LEDs that allow the system operator to select between the system microphone or fire-phone for transmission of live audio messages. In addition the card provides ten custom programmable switches and LEDs that can be configured to provide operator interface capabilities to the emergency communication system.

The card is an integral part of the FCC digital paging assembly (P/N 10-2751) and is designed to mount directly to the dead-front door panel of the CyberCat® FCC enclosure. It communicates with and receives its operating power directly from the FCC digital paging card (P/N 10-2727) via a ribbon cable connection.

COMPATIBILITY

The card is compatible with Fike's CyberCat 254 and 1016 control panels with firmware version 5.XX or higher.

SPECIFICATIONS

Operating Temperature: 0° to 49° C
(32° to 120° F)
93% RH

Connections are Non-Supervised and Power-Limited

Card Dims: 3.75" (9.53 cm) W x 5.75" (14.6 cm) H

MOUNTING HARDWARE

02-12195	Hardware Kit
4153-142	#6 lock washer (qty. 6)
02-1361	#6-32 hex nut (qty. 6)
02-12263	Low profile screw mount

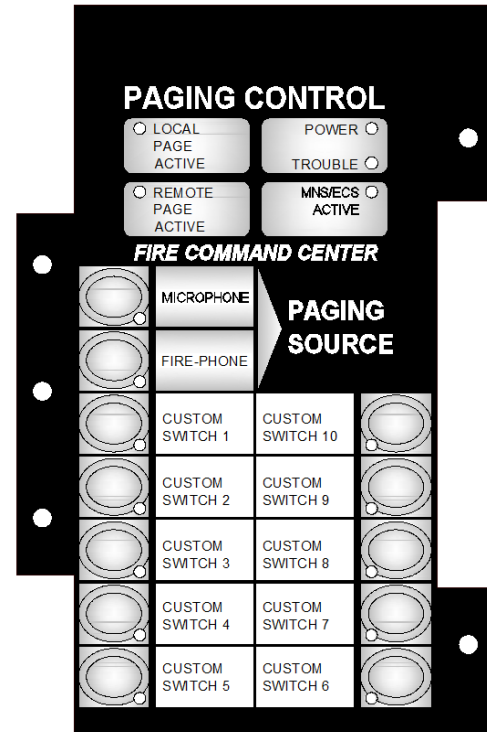


Exhibit 1: FCC Paging Control Card

CAUTION

The card and associated control panel contains static sensitive components. Always ground yourself with a proper wrist strap before handling any circuits so that static charges are removed from the body. Use anti-static packaging to protect electronic assemblies removed from the unit.

CAUTION

Never remove or install boards, internal cables or components with power applied. Failure to follow the instructions provided in this section can result in irreparable damage to the system components. This damage may adversely affect the operation of the control unit but its effect may not be readily apparent.

INSTALLATION

The following installation instructions must be strictly adhered to when installing the card to prevent potential damage to the card and the associated control panel. A dead-front enclosure must be used in order to properly mount the card inside the control panel. Refer to the associated control panel manual for system enclosure information.

1. Carefully unpack the card and check for shipping damage.
2. Fill out the switch identification label and insert it between the front membrane and the circuit board.
3. Mount the card onto the threaded standoffs provided on the dead-front panel (See Exhibit 2). *The paging control card must be installed in the card opening directly adjacent to the CyberCat extended display.*
4. Secure the card to the dead-front panel using the mounting hardware provided with the card.
5. Connect the interface cable (P/N 10-2764) between connector P1 on the paging control card and connector P9 on the digital paging card. Route the cable behind the CyberCat control board and digital paging card (See Exhibit 3).

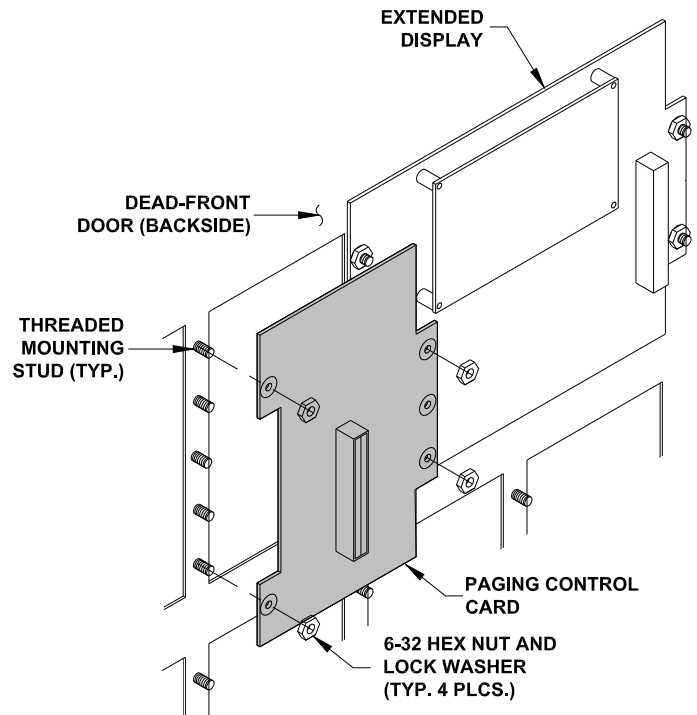


Exhibit 2: Mount Card to Dead-Front Panel

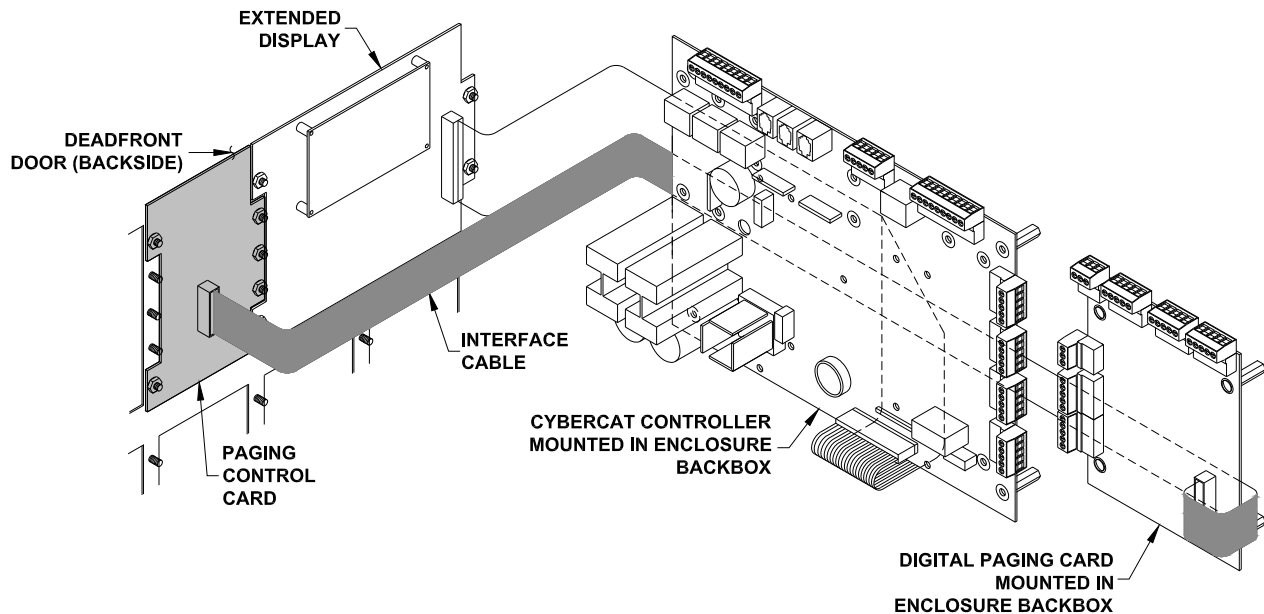


Exhibit 3: Interface Cable Connection to Digital Paging Card