



DESCRIPTION

The LOC3 enclosure (P/N 10-2844-X) is made of 18 gauge steel with a baked on black enamel finish. It weighs approximately 14.7 lbs. (6.7 kg) without electronics installed. The enclosure is designed so that it can be surface or flush mounted to the wall. Numerous conduit knockouts are provided on all four sides of the enclosure to facilitate easy wiring access into the enclosure. The conduit knockouts allow connection of either ½” or ¾” conduit.

The enclosure’s exterior door is hinged on the left side of the back-box and can be removed during installation. The door is equipped with a key-lock to prevent unauthorized access to system components. The enclosure is also equipped with an internal dead-front door that is designed to isolate the operator from the internal electronics and wiring, yet allows access to the paging controls and microphone. The dead-front door is hinged to allow access to the internal electronics and wiring for servicing purposes.

The enclosure is designed to house the following components:

- A. LOC Digital Paging Card, P/N 10-2816
- B. LOC Microphone Housing, P/N 10-2813
- C. LOC Paging Control Card, P/N 10-2798
- D. Smoke Control Switch Card, P/N 10-2658
- E. Input/Output Switch Card, P/N 10-2659
- F. 20 Zone Annunciator Card, P/N 10-2660
- G. Audio Control Card, P/N 10-2661
- H. Single Card Cover Plate, P/N 10-2697-X

Components listed above are shipped separately and must be installed in the field. See Exhibits 2 and 3 for component layout within the enclosure.

MOUNTING HARDWARE

The following mounting hardware is supplied with the enclosure for installation of electronic components:

- 02-12014 Hardware Kit
 - 02-12025 Key (qty. 1)
 - 4153-142 Lock Washer, #6 (qty. 2)
 - 02-1361 6-32 Hex Nut (qty. 2)
 - 02-4992 Ground Wire (qty. 1)
 - 02-4035 Nut and star washer kit (contains 20 nuts and washers)

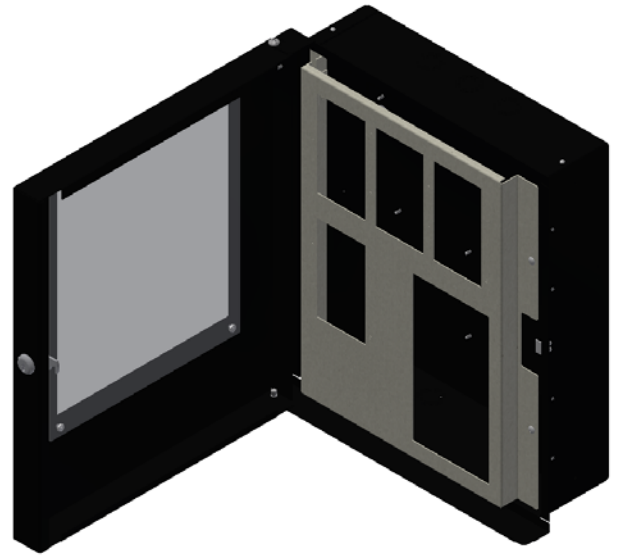


Exhibit 1: Local Operating Console - 3 Card Enclosure

MOUNTING LOCATION

The following guidelines shall be adhered to when selecting the mounting location for the LOC3 enclosure:

1. Mount the enclosure on a surface that is vibration free, clean, and dry.
2. Mount the enclosure in an area that is free from sources of electromagnetic interference and radio frequency interference; as these are types of problems that could adversely effect the successful operation and useful life of the electronic equipment housed in the enclosure.
3. Mount the enclosure in an environment with a nominal room temperature of 0°-49°C (32° - 120°F), with a relative humidity of 93 percent.
4. Allow sufficient clearance around enclosure to allow door to swing freely.
5. Mount enclosure at a height that allows easy access to system electronic components for operation, maintenance and service.

INSTALLATION

1. Determine the quantity and size of conduit to be attached to the enclosure and remove appropriate knockouts. Do not use conduit knockouts located in the bottom of the enclosure if installing batteries.

Note: All wiring connections within the enclosure are power-limited. No wiring segregation per NEC Article 760 is required.

2. Mount the enclosure at the selected location (See Exhibit 4 for enclosure dimensions). Both the outer and inner (dead-front) doors can be removed to make installation of the back box easier. Remove the outer door by unscrewing the two hinge screws. Remove the inner door by simply lifting it off its hinge pins.

Surface Mounting

Utilize the four tear-drop openings in the back of the back box to secure it to the mounting surface with suitable anchors.

Flush Mounting

Cut an opening in the wall to fit the back box dimensions and secure the box in place utilizing the through holes provided on the sides of the back box.

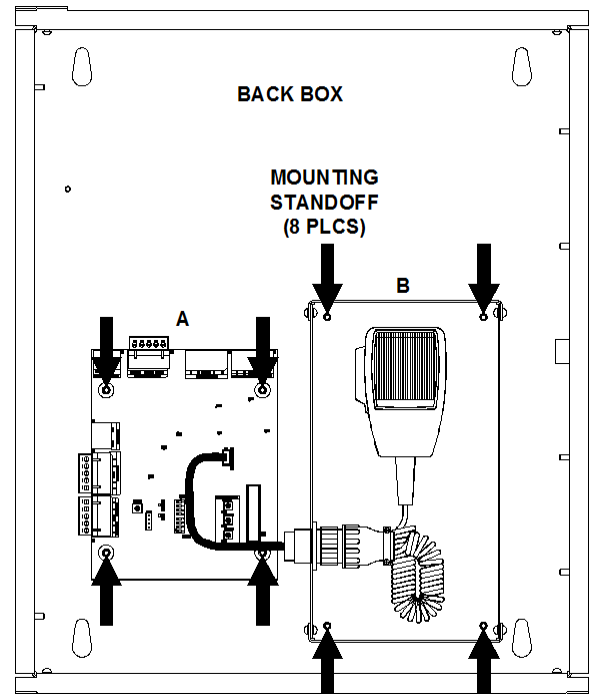


Exhibit 2: Enclosure Layout

CAUTION

The enclosure is NOT fire rated. Do not mount on or in a fire rated wall unless wall is properly framed to maintain specified fire rating.

3. Reinstall the enclosure door and connect the door grounding wire using hardware provided (See Exhibit 5). Adjust routing of grounding wire if necessary to allow full movement of both the inner and outer doors.
4. After enclosure is cleaned and free from all construction dust; install electronic components into the enclosure using the installation instructions supplied with each component.

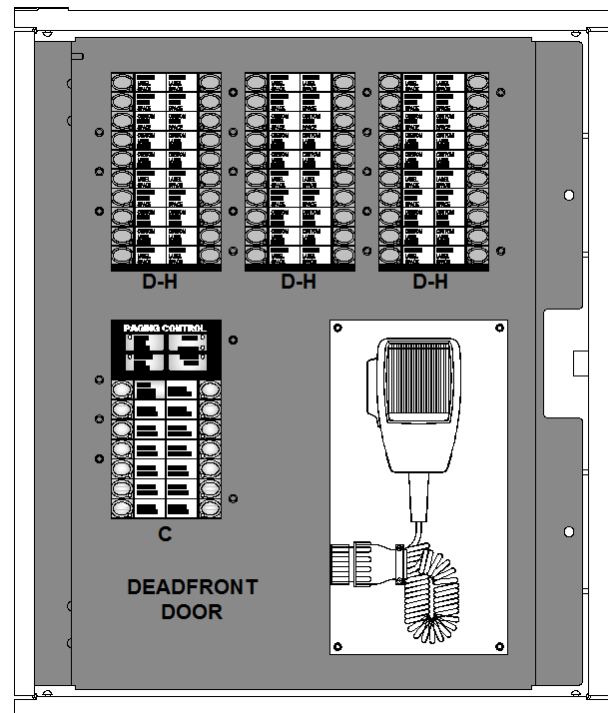


Exhibit 3: Dead-Front Layout

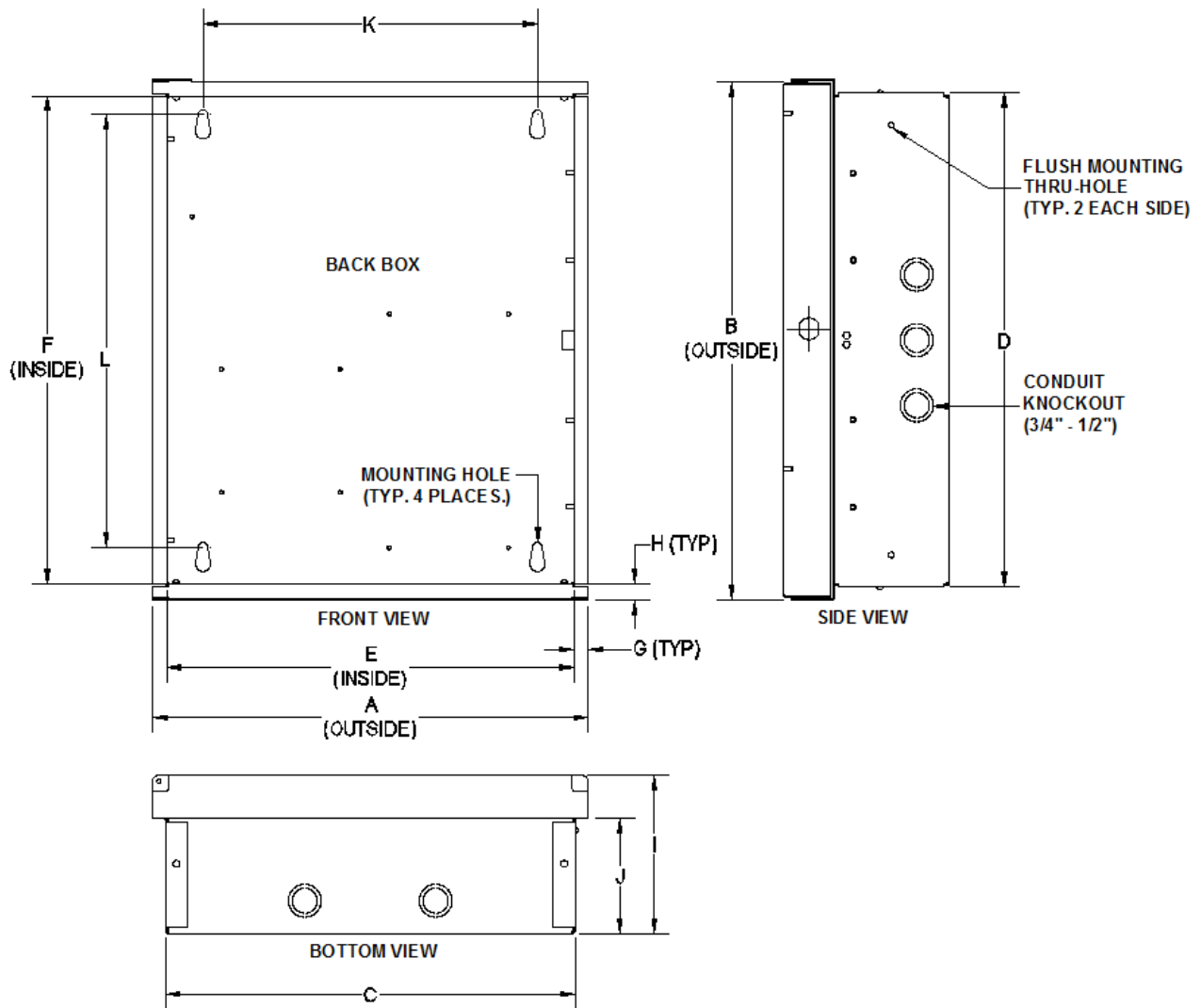


Exhibit 4: Enclosure Dimensions

Enclosure Dimensions inches (cm)			
A	15.00 (38.1)	J	3.95 (10.0)
B	17.95 (45.6)	K	11.50 (29.2)
C	14.09 (35.8)	L	14.89 (37.8)
D	17.0 (43.2)		
E	14.00 (35.6)		
F	16.8 (42.7)		
G	0.50 (1.27)		
H	0.55 (1.40)		
I	5.45 (13.8)		

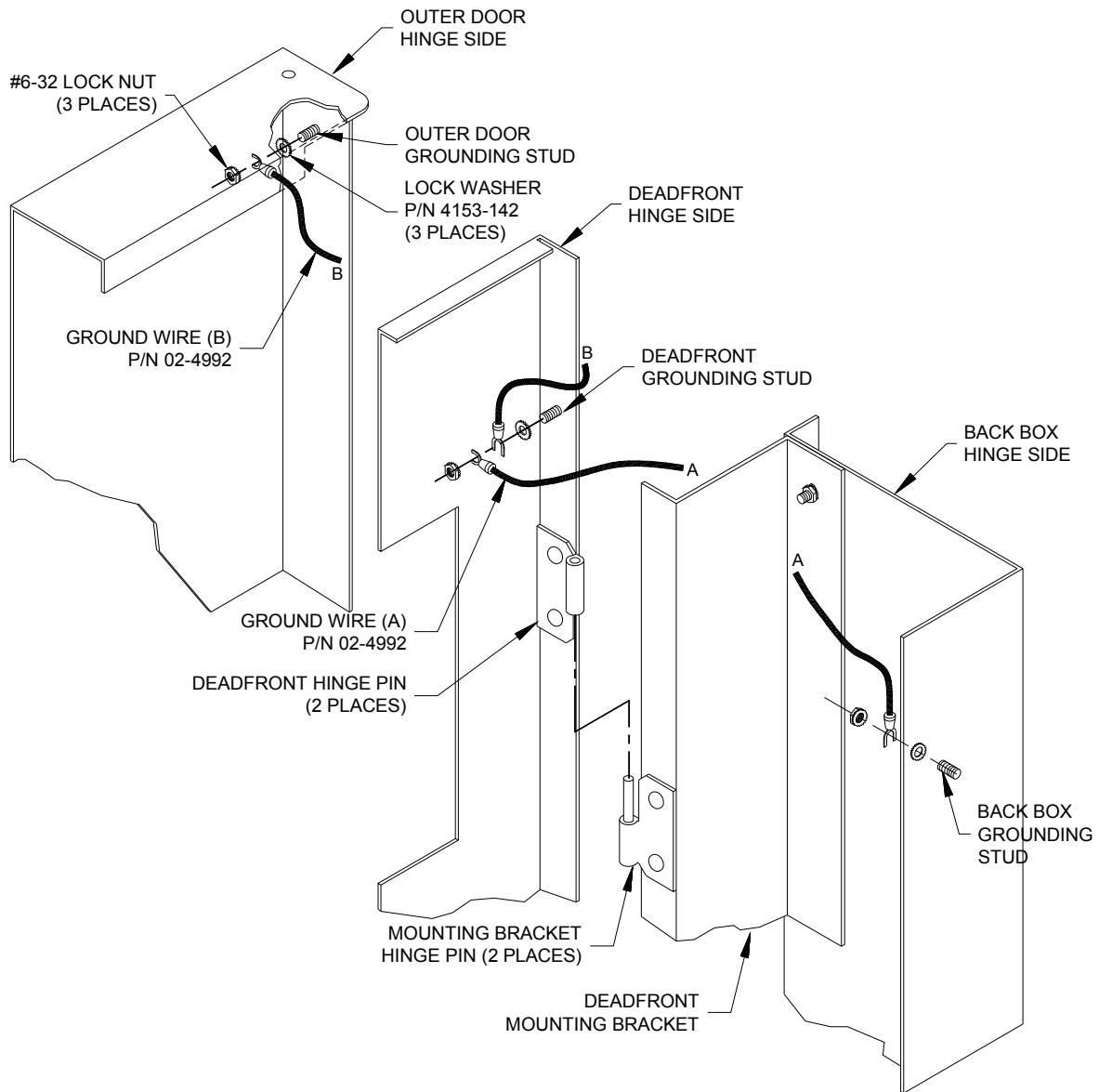


Exhibit 5: Ground Wire Installation