

Expanded Enclosures

Installation Guide



**THREE BAY
EXPANDED ENCLOSURE
10-055-3-C CHEETAH / SHP
10-060-3-C SHARK**



**TWO BAY
EXPANDED ENCLOSURE
10-055-2-C CHEETAH / SHP
10-060-2-C SHARK**

Fike Corporation - Offices**Fike Corporation
World Headquarters**

704 South 10th Street
P.O. Box 610
Blue Springs, Missouri 64013
U.S.A.

Ph: (816) 229-3405
Fax: (816) 229-5082

Fike South East Asia

81, Loyang Way
Singapore, 1750
Singapore

Ph: 011-65-545-1188
Fax: 011-65-545-2139

Fike Canada

4140 Morris Drive
Burlington, Ontario L7L 5L6
Canada

Ph: (905) 681-3100
Fax: (905) 681-3107

Fike Europe

Toekomstlaan 52
B-2200 Herentals
Belguim

Ph: 011-32-14-210031
Fax: 011-32-14-210743

Fike Latina

Avenida Paulista 2202, 3°, cj34
Cerqueira Cesar, Sao Paulo
Brazil, CEP 01310-300

Ph: 011-55-11-251-5244
Fax: 011-55-11-284-8479

Fike United Kingdom

10-11 Enterprise Estate
Moorfield Road
P.O. Box 540
Guildford, Surrey GU1 1RB
United Kingdom

Ph: 011-44-8700-777-540
Fax: 011-44-7000-777-540

Copyright Information

This document may not be reproduced, in whole or in part, by any means without the prior express written permission of Fike Corporation.

Fike[®] is a registered trademark of Fike Corporation.

Disclaimers

The information contained in this manual is as accurate as currently possible. This manual is intended to be an aid to Fike authorized sales outlets, who have been trained in an approved manner by Fike, and the user who is a customer of the Fike authorized sales outlet. Fike does not warrant that this manual is technically correct, complete, or free from writing problems or that the Fike products referenced therein are free from minor flaws.

In accordance with our policy of continuing product and system improvement, Fike reserves the right to change designs or specifications without obligation and without further notice.

Reader Responses

Fike encourages input from our sales outlets and end users on how we can improve this manual and the products themselves. Please direct all calls of this nature to Fike's Product Support Department at (816) 229-3405.

Any communication received becomes the property of Fike Corporation.

Warranties

Fike provides a one-year limited manufacturer's warranty on this product. The standard warranty is printed in each Marketing Price List. All warranty returns must be returned from an authorized Fike Sales outlet. Contact Fike's Marketing Department for further warranty information. Fike maintains a repair department that is available to repair and return existing electronic components or exchange/purchase previously repaired inventory component (advance replacement). All returns must be approved prior to return. A Material Return Authorization (MRA) number should be indicated on the box of the item being returned. Contact the appropriate Regional Sales Manager for further information regarding Material Return Procedures.

TABLE OF CONTENTS

Section	Page
1.0 PREFACE	1
1.1 About This Manual	1
1.2 Product Support	1
1.3 Revision History	1
1.4 Terms Used in this Manual	1
1.5 Safety Notices	2
2.0 PRODUCT OVERVIEW	3
2.1 Product Description	3
2.2 Listings and Approvals	3
2.3 Agency Standards and Compliance	3-4
2.4 Related Documentation	4
2.5 Expanded Enclosure Features	4
3.0 EQUIPMENT PRODUCTS	5
3.1 Equipment/Products	5-7
3.2 Equipment/Products – Spare Parts	8
3.3 Enclosure Specifications	9-14
4.0 DESIGN	15
4.1 Identify Local Code Requirements	15
4.2 Identify Specification and End-User Customer Requirements	15
4.3 Ensure Proper Mounting Location	15
5.0 INSTALLATION	17
5.1 Install Backbox/Enclosure	17
5.2 Install Mounting Plates	18
5.3 Install Miscellaneous Labeling	19
5.4 Install Internal Electronic Assemblies	20-23

1.0 PREFACE

1.1 ABOUT THIS MANUAL

This manual is intended to be a complete reference for the overview and installation of the Fike Expanded Enclosures. For specific instructions regarding wiring, refer to the specific Control Panel Manual. This manual is intended for the designer and installer.

Before you refer to any section in this manual, and before you attempt to install or use the Fike electronic hardware, be sure to read the important User Information that follows this explanation.

1.2 PRODUCT SUPPORT

If you have a question or encounter a problem not covered in this manual, you should first try to contact the sales outlet that sold the protection system. Fike has a worldwide distribution network. Each sales outlet sells, installs, and services Fike equipment. Look on the inside door, left-side, there should be a sticker with an indication of the sales outlet who sold the system. If you can not locate the sales outlet, please call Fike Customer Service for locating your nearest sales outlet, or go to our web-site at www.fike.com. If you are unable to contact your installing sales outlet or you simply do not know who installed the system you can contact Fike Product Support at (816) 229-3405, Monday through Friday, 8:00 a.m. to 5:00 p.m. CST.

1.3 REVISION HISTORY

Document Title: Fike Expanded Enclosure Installation Guide

Document Reorder Number: 06-185

Revision	Section	Date	Reason for Change
0	All Sections	02 / 01	Initial Release
1	All Sections	09 / 01	Added Shark Information

1.4 TERMS USED IN THIS MANUAL

The following terminology is used frequently in this manual:

<u>Term</u>	<u>Description</u>
Non-Power Limited	A circuit designation given for wiring purposes. The amount of current flowing through the circuit is unlimited vs. being limited, or power-limited.
Power Limited	A circuit designation given for wiring purposes. The amount of current flowing through the circuit is limited vs. being unlimited, or non-power limited.
Press Stud	The backbox, door, and mounting plates all have 6-32 thread mounting studs installed into the metal at appropriate mounting locations. This provides a sturdy location for securing the equipment.
Stand-off	An aluminum or metal extension piece to provide spacing between mounting assemblies. Fike chooses a 6-32 thread for its stand-off spacers. The pieces are typically referred to by the type of connection at each end of the part: Male (M) – extension spacer with threaded screw end for use with connecting hex nut or female end of an additional standoff Female (F) – extension spacer with threaded insert end for use with connecting to press stud or male end of an additional spacer.

1.5 SAFETY NOTICES

Be certain to read all the following caution before installing or using this device. Accidental damage to the device could result if this caution is not heeded!

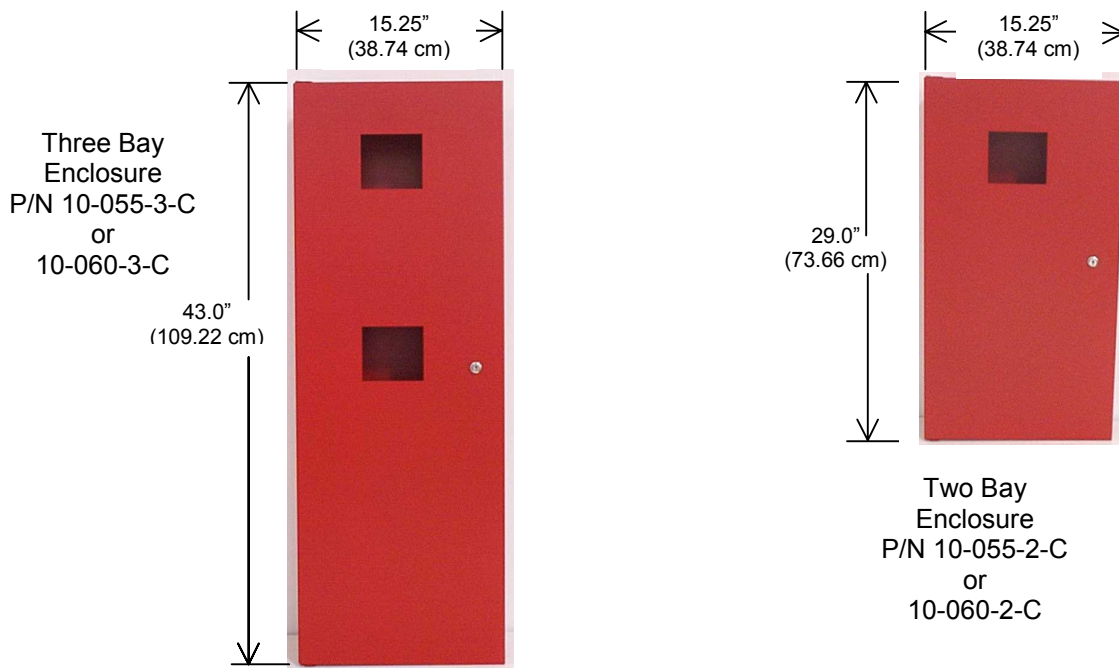
**CAUTION:**

The Expanded Enclosures are intended for mounting Fike manufactured electronics control systems. This manual refers to only the mounting hardware, but electronics are frequently shipped with the mounting hardware. Each electronic control board contains static sensitive components. Handle the module by the edges only and avoid touching the integrated components. Keep the module in the protective static bags it was shipped in until time for installation. Always ground yourself with a proper wrist strap before handling the module(s). If the installer is grounded at all times, damage due to static discharge will not occur. If the module requires repair or return to Fike, it must be shipped in an anti-static bag.

2.0 PRODUCT OVERVIEW

2.1 PRODUCT DESCRIPTION

The Fike Expanded Enclosures, P/N 10-055-2-C (-3-C) and P/N 10-060-2-C (-3-C) provide two “standard” panel enclosure sizes for the Cheetah, Shark and SHP Control Systems. Additional hardware is also available to provide mounting for the Cheetah/VESDA HLI, VESDA LaserCompact, Addressable Modules, and Batteries.



2.2 LISTINGS AND APPROVALS

<u>Approval Agency</u>	<u>File Number</u>
Underwriters Laboratories	S2203
Factory Mutual (FM)	3009544
California State Fire Marshall (CSFM)	Planned
City of New York (MEA) <i>Red Enclosures Only</i>	0101057

2.3 AGENCY STANDARDS AND COMPLIANCE

This Fire Alarm Control Panel complies with the following NFPA standards:

- NFPA 1 – Fire Prevention Code
- NFPA 13 – Sprinkler Systems
- NFPA 25 – Water-Based Fire Protection Systems
- NFPA 70 – National Electrical Code, Article 300 Wiring Methods
- NFPA 70 – National Electrical Code, Article 760 Fire Protective Signaling Systems
- NFPA 72 – National Fire Alarm Code
- NFPA 77 – Static Electricity
- NFPA 101 – Life Safety Code
- NFPA 110 – Emergency Standby Power Systems

The installer should also be familiar with the following documents and standards:

- UL 864 – Standard for Control Units for Fire Protective Signaling Systems
- UL 1481 – Power Supplies for Fire Protective Signaling Systems
- ULC – Standard CAN/ULC-S527-M87

Applicable Local and State Building Codes
 Requirements of the Local Authority Having Jurisdiction

2.4 RELATED DOCUMENTATION

To obtain a complete understanding of the wiring for the SHP or Cheetah or to become familiar with related functions in general, refer to the documentation listed in Table 2.4-1 below.

Document Title	Part Number
Cheetah Manual	06-148
Shark Manual	06-180
SHP Manual	06-130
VESDA LaserCompact Installation Guide	06-189

2.5 EXPANDED ENCLOSURE FEATURES

- Optional door “unused opening” cover plate secured by metal hardware (Cheetah / SHP only)
- Enclosure back box width (14.35”/ 36.45 cm) mounts easily between most building studs
- Easily removed door with only two securing screws (top and bottom pivot points)
- Mounting for Cheetah, Shark, or SHP Control System
- Optional Mounting Plate for Cheetah / VESDA HLI and/or VESDA LaserCompact
- Optional Mounting Plate for a pair of batteries, up to 18 Amp-Hour, used to keep batteries off enclosure and allow use of the bottom knock-outs
- Three-bay enclosure provides two locations for panel display
- Two common backbox sizes for multiple options
- Optional Mounting Plate for 4” square modules used in the Cheetah and Shark control panels
- Available in Red or Grey

3.0 EQUIPMENT/PRODUCTS

3.1 EQUIPMENT/PRODUCTS

The 10-055/10-060 Expanded Enclosures consists of a red or gray metal enclosure with removable door. The enclosures may be flush or surface mounted. They include a 0.5" (1.27 cm) lip around the back box to facilitate flush mounting. The control panels are available in versatile "2-bay" or "3-bay" enclosures providing capability for the mounting of optional modules. Refer to the last pages of this section for a complete detail of the specifications/dimensions.

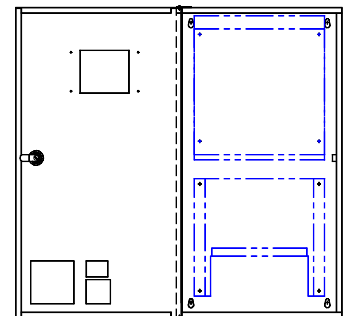
The basic part numbers for the components covered in further detail in this section are as follows:

10-055-2-C	2 Bay Expanded Cheetah/SHP Enclosure	where C=
10-060-2-C	2 Bay Expanded Shark Enclosure	R for Red
10-055-3-C	3 Bay Expanded Cheetah/SHP Enclosure	G for Gray
10-060-3-C	3 Bay Expanded Shark Enclosure	
10-059-P	Cheetah Control System	where P =
10-057-P	Shark Control System	1 for 120VAC
10-058-P	SHP Control System	2 for 240VAC
10-2345	Optional Mounting Plate, Cheetah/VESDA High Level Interface (HLI)	
10-2346	Optional Mounting Plate, VESDA LaserCompact	
10-2347	Optional Mounting Plate, 4" Square Addressable Modules (up to 6 modules)	
10-2348	Optional Mounting Plate, Battery (will hold up to 18AH battery pair)	

10-055-2-C / 10-060-2-C

**Where C = R (Red)
G (Gray)**

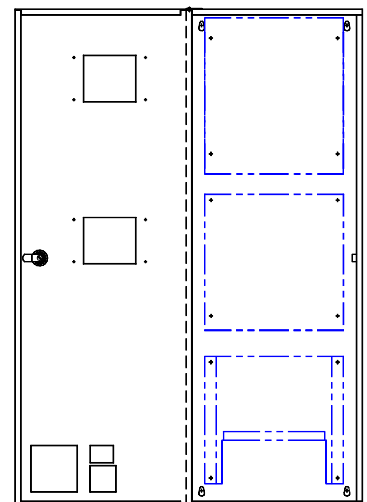
The basic two-bay enclosure combination provides the main backbox and door for two bays of fire control system hardware. Both bays include mounting studs for securing the chosen hardware mounting plate. It is intended for the control panel to be installed in the top bay. If not using mounting plates in the bottom bay, the enclosure will be shipped with vinyl caps covering the bottom bay press studs. Electrical knockouts are located on all sides for wire entry.



10-055-3-C / 10-060-3-C

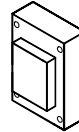
**Where C = R (Red)
G (Gray)**

The basic three-bay enclosure combination provides the main backbox and door for three bays of fire control system hardware. The Cheetah/SHP door has two openings and the Shark door has one opening. The Cheetah/SHP control panel can be installed in either the top or middle bay of the enclosure. The Shark Control panel should be installed in the middle bay only. The unused opening on the Cheetah/SHP door is to be covered using the cover plate P/N 02-4832 (included with order). If not using mounting plates in the bottom bay, the panel will be shipped with vinyl caps covering the bottom bay press studs. Electrical knockouts are located on all sides for wire entry.

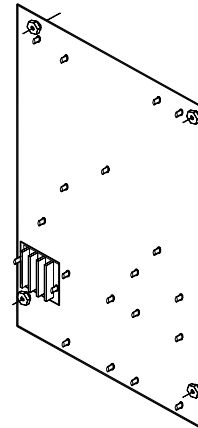


- 10-059-P Cheetah Control System
- 10-057-P Shark Control System
- 10-058-P SHP Control System
- Where P = Power
- 1 = 120 VAC
- 2 = 240 VAC

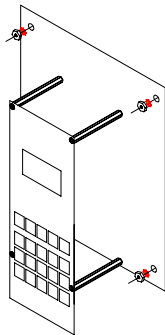
This system includes the control panel, mounting plate, and transformer. The AC terminal block is installed on the plate. Necessary mounting hardware is included to install the transformer and control panel. The SHP Control System includes a clear polycarbonate plate.



Transformer
(All Assemblies)



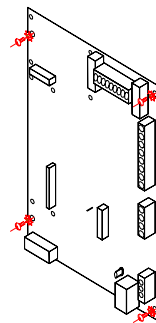
Mounting Plate



Cheetah Control Panel

10-059-P

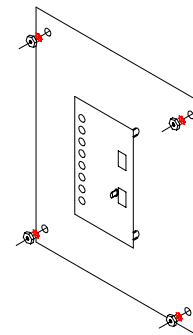
or



Shark Detector Board

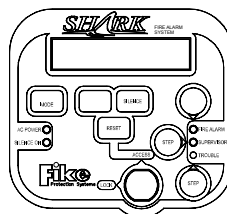
10-057-P

or



SHP Control Panel

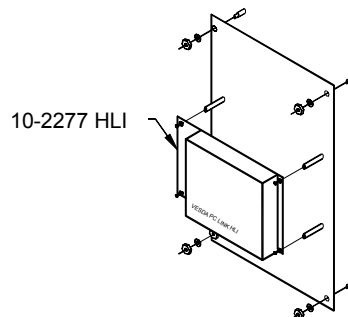
10-058-P



Shark Keypad

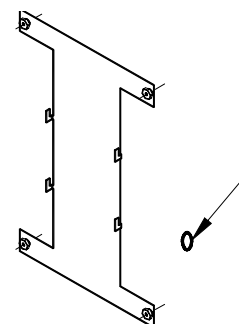
10-2345 Optional Mounting Plate, Cheetah/VESDA High Level Interface (HLI)

This kit provides a stainless steel mounting plate, mounting hardware, 10-2277 Cheetah/VESDA High Level Interface (HLI) printed circuit board assembly, 02-3053 RS-232 cable, and Cheetah/VESDA interface manual. It is approximately 12" (30.5 cm) wide by 11" (27.94 cm) high.



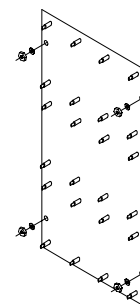
10-2346 Optional Mounting Plate, VESDA LaserCompact

This kit provides a stainless steel mounting plate and necessary mounting hardware, to install a VESDA Compact unit, P/N 68-040/68-041 (sold separately). Due to sampling pipe requirements the plate must be mounted in the bottom bay of the two bay enclosure and either the middle or bottom bay of the three bay enclosure. Holes are provided on the enclosure to facilitate exhaust requirements for the Compact unit. Use the supplied grommets to cover the edges of the exhaust holes. It is approximately 12" (30.5 cm) wide by 11" (27.94 cm) high.



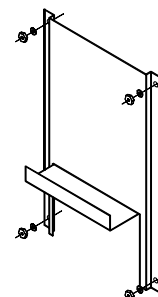
10-2347 Optional Mounting Plate, 4" Square Addressable Modules

This kit provides a stainless steel mounting plate and necessary mounting hardware to install up to six each 4" square modules (sold separately) without covers. It is approximately 12" (30.5 cm) wide by 13 1/2" (34.29 cm) high.



10-2348 Optional Mounting Plate, Battery

This kit provides a stainless steel mounting plate and necessary mounting hardware for securing plate to enclosure. This plate will support up to two each of 18 Amp-Hour batteries (sold separately). It brings the batteries up off of the bottom of the enclosure to provide accessibility to the bottom knock-outs on the enclosure. It is approximately 12" (30.5 cm) wide by 11" (27.94 cm) high by 3 1/2" (8.89 cm) deep.



3.2 EQUIPMENT/PRODUCTS – SPARE PARTS

The following parts are for ordering replacements or spare parts:

Description	Part Number
HLI Mounting Plate	70-1773
VESDA LaserCompact Mounting Plate	70-1774
4" Module Mounting Plate	70-1775
Battery Mounting Plate	70-1776
Cheetah / Shark / SHP Mounting Plate	70-1777
2-Bay Enclosure Door (Cheetah/SHP)	10-2409-C
3-Bay Enclosure Door (Cheetah/SHP)	10-2410-C
2-Bay Enclosure Door (Shark)	70-1771-C
3-Bay Enclosure Door (Shark)	70-1765-C
2-Bay Enclosure Backbox	70-1767-C
3-Bay Enclosure Backbox	70-1769-C
Key and Lock w/ Cam	02-1606
Fike Key (without Cam)	02-4983
3/4" Star Washer for Key Lock	02-3828
Shark Logo	02-4837
Black Polycarbonate Plate	02-4832
Clear Polycarbonate Plate (SHP only)	02-10145
Vinyl Cap for unused press stud	02-4836
Grommet (VESDA LaserCompact)	02-4883
1 1/2" Standoff, M/F, #6-32	02-2593
1" Standoff, F/F, #6-32 (Transformer)	02-2178
1/2" Hinged Standoff, M/M, #6-32	02-2842
#6-32, Nut and Washer kit	02-4035
#6-32, Screw and Washer kit	02-4956
Touch-Up Paint (Not available from Fike)	
Red-Sherwin Williams - #F63VXR9951-4343 Polane 2.8T Plus Polyurethane Enamel	
Gray-Sherwin Williams - #F63VXA9975 Polane T Plus Polyurethane Enamel	

3.3 ENCLOSURE SPECIFICATIONS

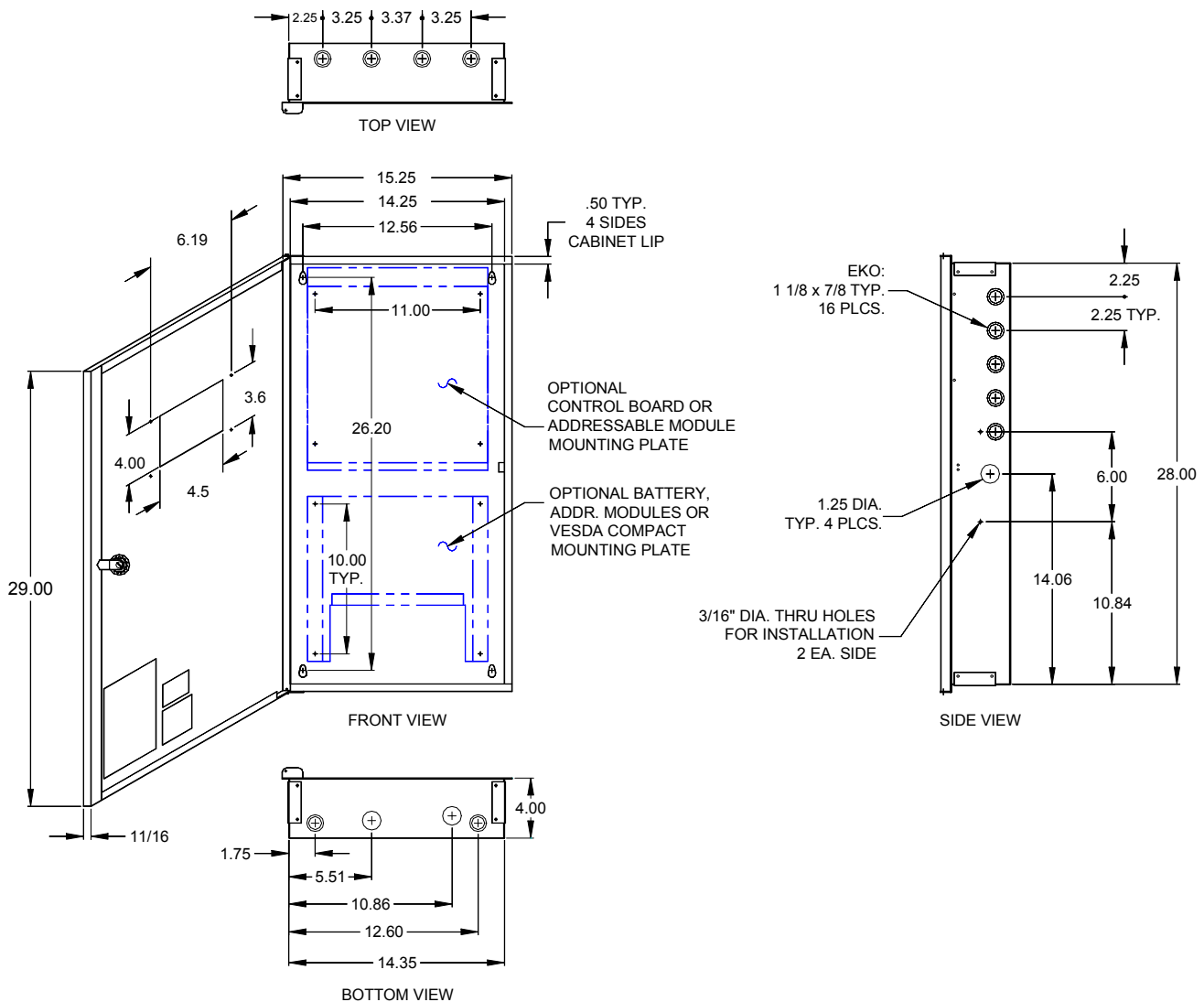
The Cheetah/SHP (3.3.1,3.3.3) and the Shark (3.3.2, 3.3.4) enclosures are identical except for the door's display cutout.

3.3.1 Two Bay Cheetah / SHP Enclosure

Mounting Methods: Surface - Using tear-drop openings in back of backbox
 Flush - Includes 1/2" (1.27 cm) lip around backbox and removable door with full swing

Weight: 21.5 lbs. (9.75 kg) empty

Over-all Dimension: 15.25" (38.74 cm) across x 29" (73.66 cm) tall x 4" (10.16 cm) deep, See below for precise dimensions



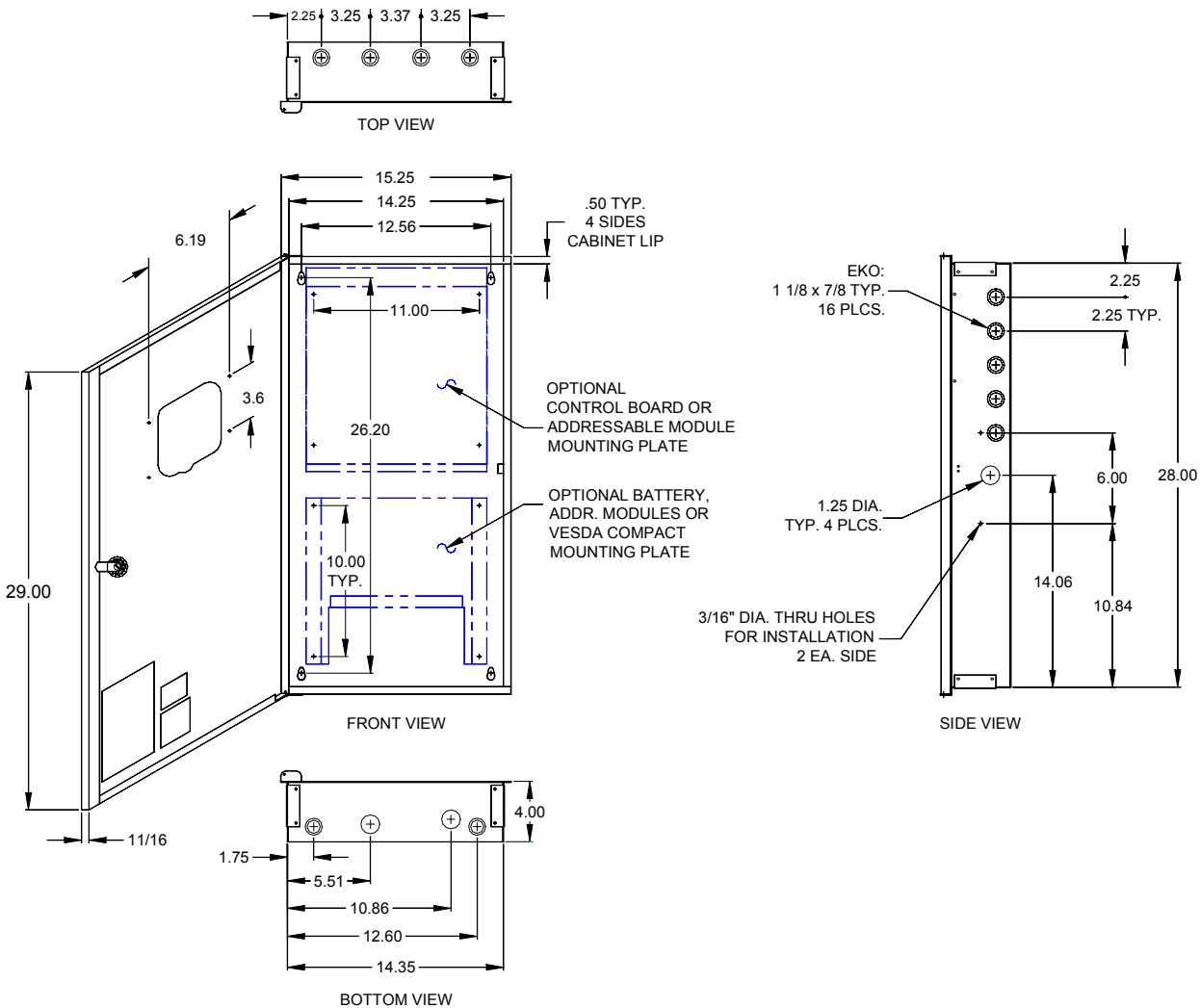
10-055-2-C
 2 Bay Cheetah / SHP Enclosure

3.3.2 Two Bay Shark Enclosure

Mounting Methods: Surface - Using tear-drop openings in back of backbox
 Flush - Includes 1/2" (1.27 cm) lip around backbox and removable door with full swing

Weight: 21.5 lbs. (9.75 kg) empty

Over-all Dimension: 15.25" (38.74 cm) across x 29" (73.66 cm) tall x 4" (10.16 cm) deep,
 See below for precise dimensions



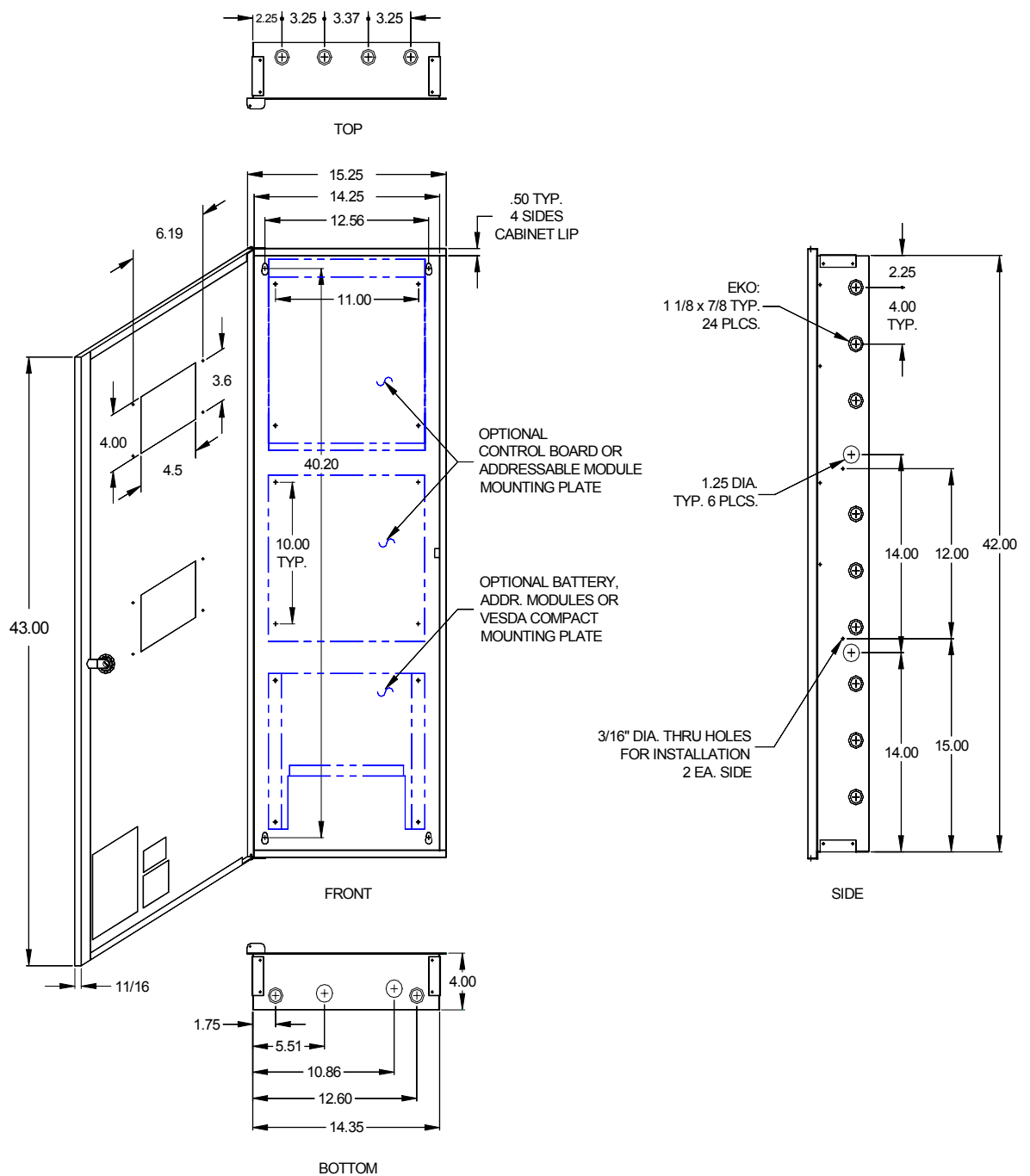
10-060-2-C
2 Bay Shark Enclosure

3.3.3 Three Bay Cheetah / SHP Enclosure

Mounting Methods: Surface - Using tear-drop openings in back of backbox
 Flush - Includes 1/2" (1.27 cm) lip around backbox and removable door with full swing

Weight: 26.5 lbs. (12.02 kg) empty

Over-all Dimension: 15.25" (38.74 cm) across x 43" (109.22 cm) tall x 4" (10.16 cm) deep, See below for precise dimensions



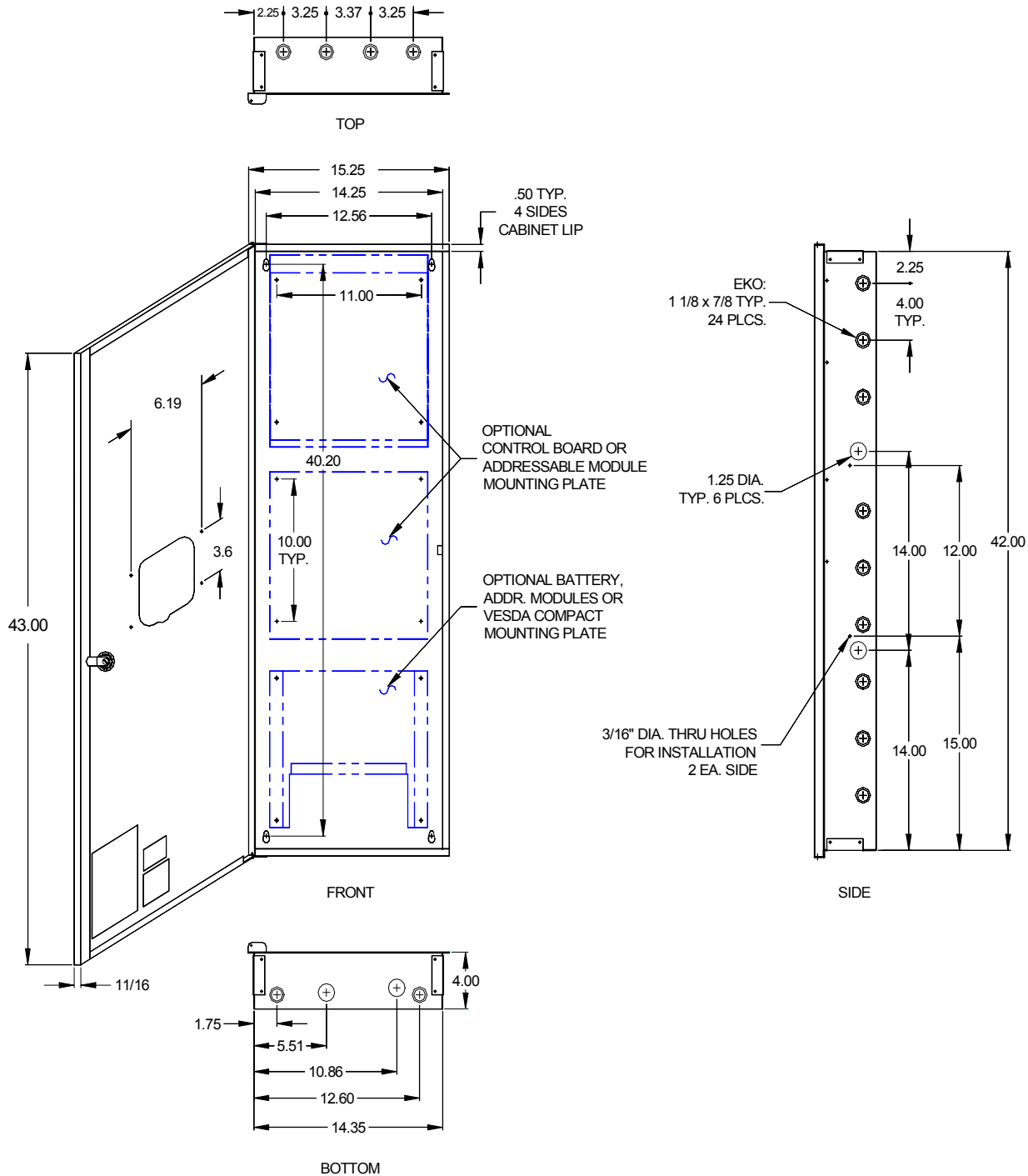
10-055-3-C
3 Bay Cheetah / SHP Enclosure

3.3.4 Three Bay Shark Enclosure

Mounting Methods: Surface - Using tear-drop openings in back of backbox
 Flush - Includes 1/2" (1.27 cm) lip around backbox and removable door with full swing

Weight: 26.5 lbs. (12.02 kg) empty

Over-all Dimension: 15.25" (38.75 cm) across x 43" (109.22 cm) tall x 4" (10.16 cm) deep,
 See below for precise dimensions

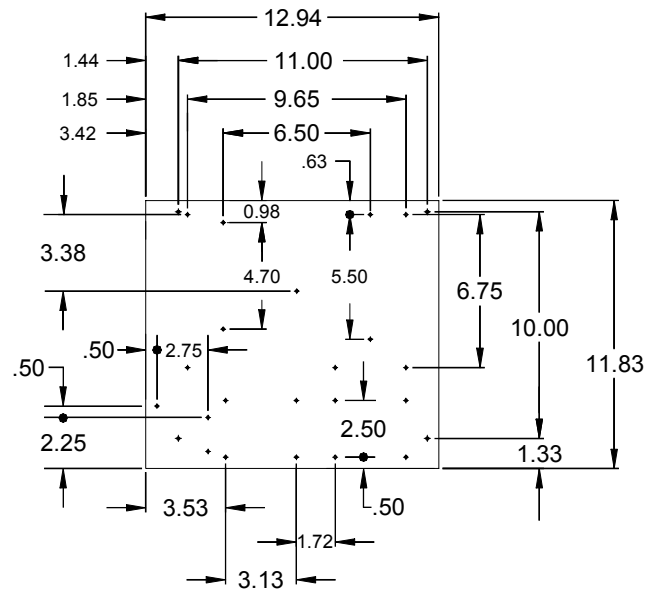


10-060-3-C
3 Bay Shark Enclosure

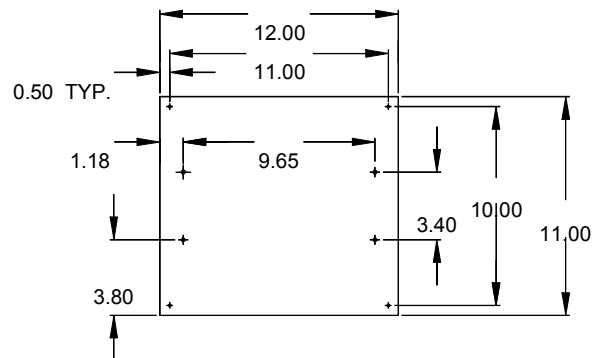
3.3.5 Mounting Plate Assemblies

All mounting plate assemblies include hardware for mounting the plate to the back box. Also included is mounting hardware for installing electronic components. Reference Section 5.2 for mounting plate installation.

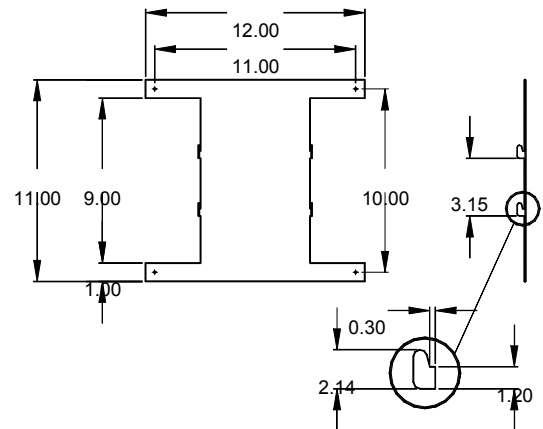
- Plate Assembly for Cheetah / Shark / SHP Control Panel
 - 10-059-1 (-2) – Cheetah
 - 10-060-1 (-2) – Shark
 - 10-058-1 (-2) – SHP
 - 1. Stainless Steel Plate with terminal strip installed.
 - 2. Transformer
 - 3. Control Panel
 - 4. Nut and Washer Kit
- Weight: 2 Lbs (907.18 grams) plus Transformer



- Plate Assembly, High Level Interface Board
 - P/N: 10-2345
 - 1. Stainless Steel Plate
 - 2. Nut and Washer Kit
 - 3. Screw and Washer Kit
- Weight: 2 Lbs (907.18 grams)



- Plate Assembly, VESDA LaserCompact Unit
 - P/N: 10-2346
 - 1. Stainless Steel Plate
 - 2. Nut and Washer Kit
 - 3. 2 Grommets, Flexible
- Weight: 1 Lb (453.6 grams)



4.0 DESIGN

The importance of proper design for fire alarm and suppression signaling systems cannot be overemphasized. Refer to the appropriate control system manual, local codes and requirements, and the requirements of national fire codes and standards as listed in Section 2.3 of this manual. The most important part of the design in reference to the Expanded Enclosures is control panel location and mounting.

4.1 IDENTIFY LOCAL CODE REQUIREMENTS

Identify local code requirements and establish contact with Authority Having Jurisdiction (AHJ). It is in your best interest as the system designer and/or installer to involve the AHJ in the project as early as possible. It is easier to make required changes to the fire alarm and/or detection system while it is still in the design stage, versus when the project has started and you are under a deadline to complete the project.

4.2 IDENTIFY SPECIFICATION AND END-USER CUSTOMER REQUIREMENTS

Identify the needs of the customer and ensure that they meet the requirements of 4.1 above and 4.3 below. The customer is the final user of the system and needs to be comfortable with the location and access to the control equipment.

4.3 ENSURE PROPER MOUNTING LOCATION

The control panel should be mounted at 60" from floor to center of viewing window on a wall that is free from vibration. The wall should not be an outside wall, due to the condensation that can occur on outside walls. The environment requirements are listed in each Control Panel Specifications section. As a general rule, each panel electronics are rated 32-120°F (0 - 100°C), 85% relative humidity. Moisture effects electronics equipment adversely. The Expanded Enclosures are **not** watertight. The Expanded Enclosures are also **not** NEMA rated and **not** Fire rated. Do **not** install the Control Panel on a Fire Wall.

5.0 INSTALLATION

Once the design of the Fire System is complete, the installation can begin.

**CAUTION:**

Fike Control Systems contain static sensitive components. Handle modules by the edges only and avoid touching the integrated components. Keep modules in the protective static bags they were shipped in until time for installation. Always ground yourself with a proper wrist strap before handling modules. If the installer is grounded at all times, damage due to static discharge will not occur. If a module requires repair or return to Fike, it must be shipped in an anti-static bag.

5.1 INSTALL BACKBOX/ENCLOSURE

The control panel should be mounted approximately 60" (152.4 cm) from the floor to the middle of the viewing window on the door. The backbox can be surface or flush mounted as desired. For surface mounting, utilize the four 'tear-drop' openings in the back of the box. For flush mounting, cut the opening in the wall to fit the backbox, refer to **Section 3.3** for dimensions. Secure the box to the wall by again utilizing the four 'tear-drops' in the back of the enclosure. Reference Section 3 – Equipment Products for detailed specifications.

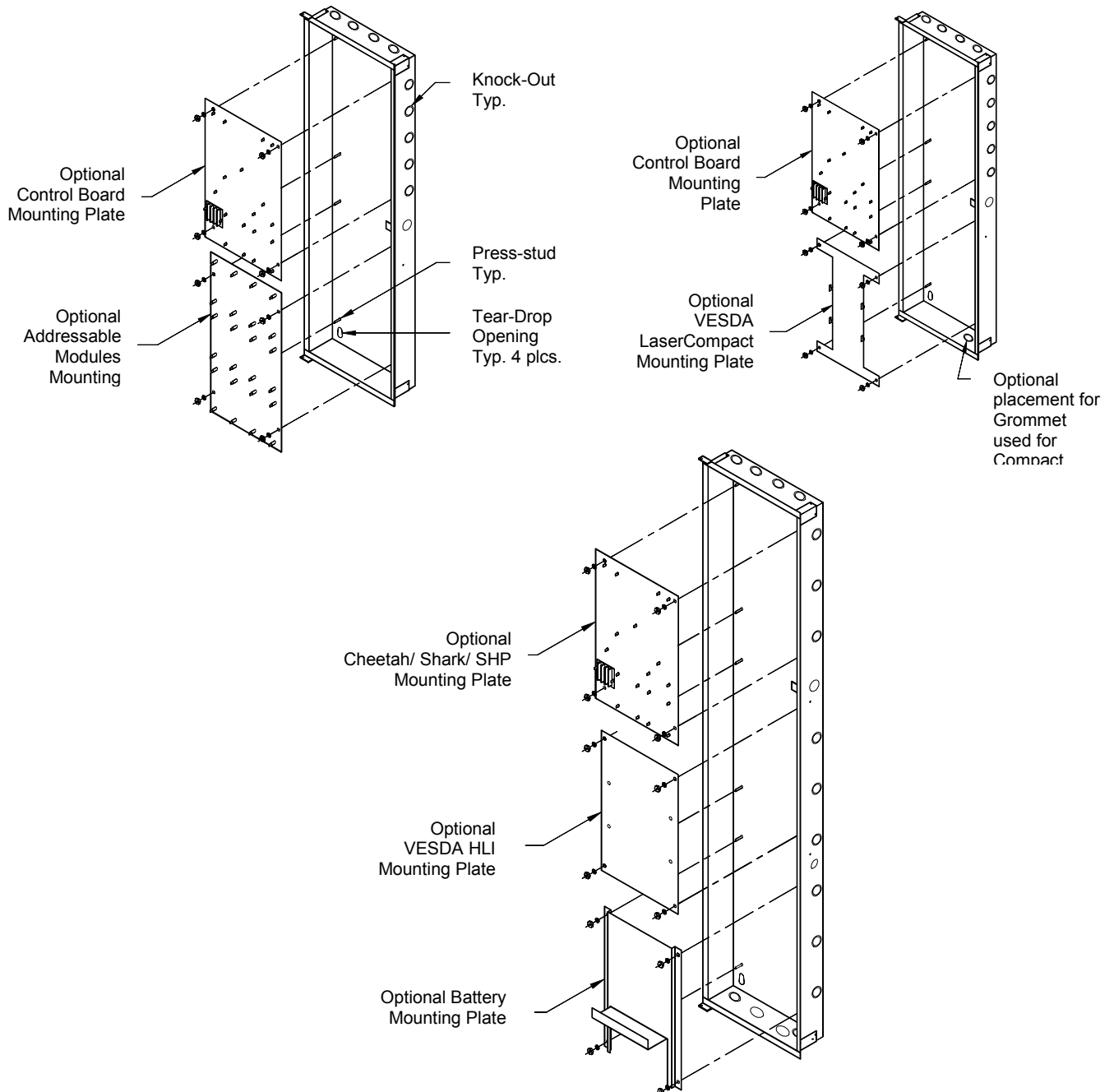
Determine the maximum number of conductors needed from the design. Wire is to be brought to the control panel through backbox via knock-out openings. Conduit knock-outs are provided for two distinct conduit sizes. 2" conduit can be used by breaking just the inside hole. 2.5" conduit can be used by removing all of the opening.

Do not install the electronic assemblies into the backbox until the environment is free from construction dust.

Unless otherwise detailed in this manual or in other documents relating to this control panel, the designer, installation and service technician, shall utilize published standards and references such as NFPA 70 National Electrical Code, NFPA 72 National Fire Alarm Code and other standards which may be relevant to the Local Authority Having Jurisdiction where the control panel will be installed.

5.2 INSTALL MOUNTING PLATES

The enclosure will be shipped with various hardware components depending on the optional modules and the mounting plates ordered with the shipment. Mounting plates are shipped with mounting hardware. Reference Section 3.0 for specific hardware information. Mounting Plates are to be inserted over the press-studs extending out from the backbox and secured with lock washers and hex nuts. Connect all hardware to the backbox and mounting plate(s) as described to prepare for installing electronic assemblies.

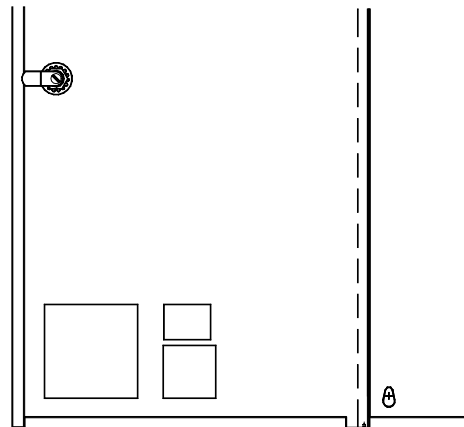


5.3 INSTALL MISCELLANEOUS LABELING

Depending on the control panel ordered, the appropriate labeling kit will be shipped. Cheetah / SHP enclosure will have the Fike logo silk-screened on the door. Shark enclosure will come with a Shark label. Install the Shark Control Panel label on the lower right corner of the enclosure front door.



- Apply other labeling inside front door. Write sales outlet name, address and phone number on System Service label.



Inside Front Door

5.4 INSTALL INTERNAL ELECTRONIC ASSEMBLIES

Wear grounding strap while installing internal electronic assemblies. Reference the appropriate control panel manual for proper installation procedure of control equipment.

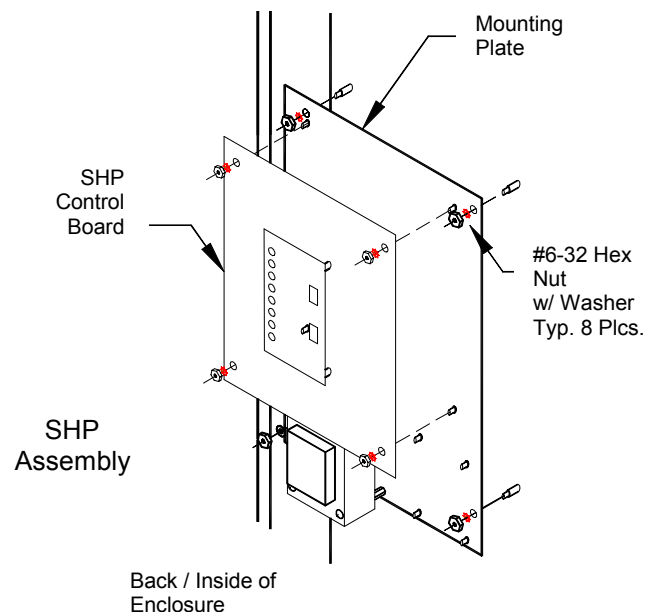
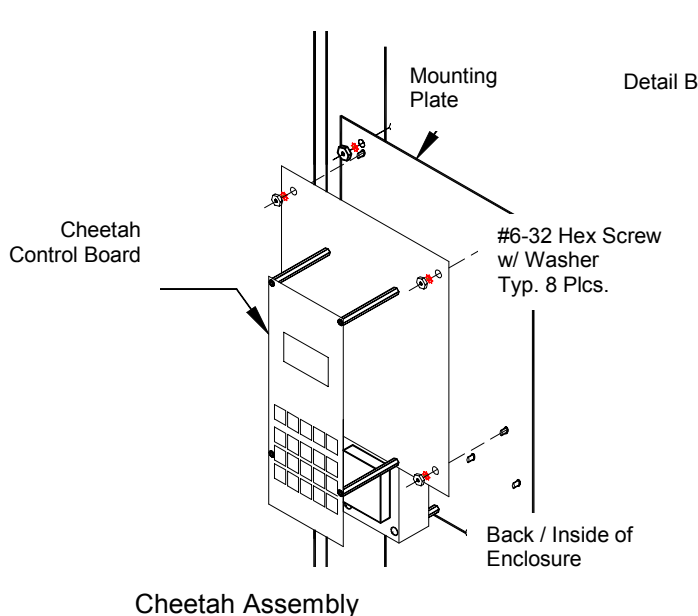
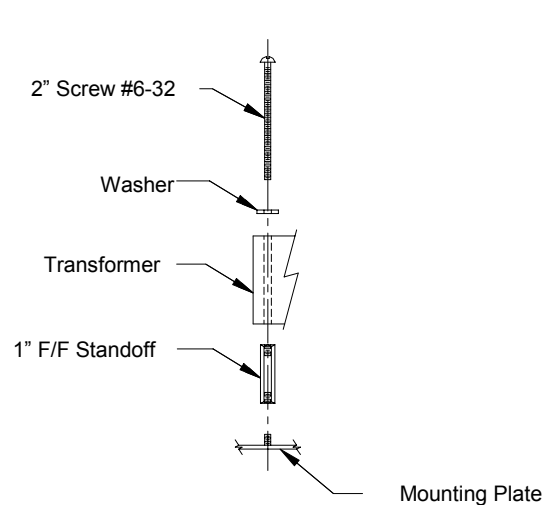
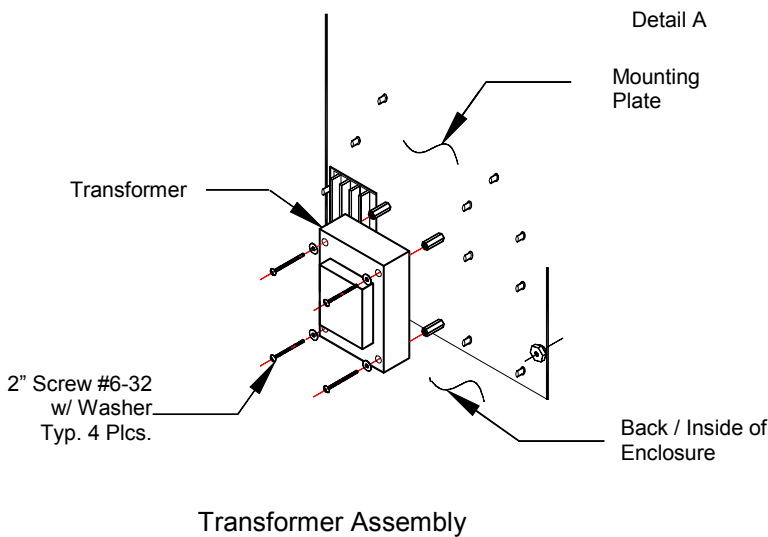
5.4.1 Control Systems

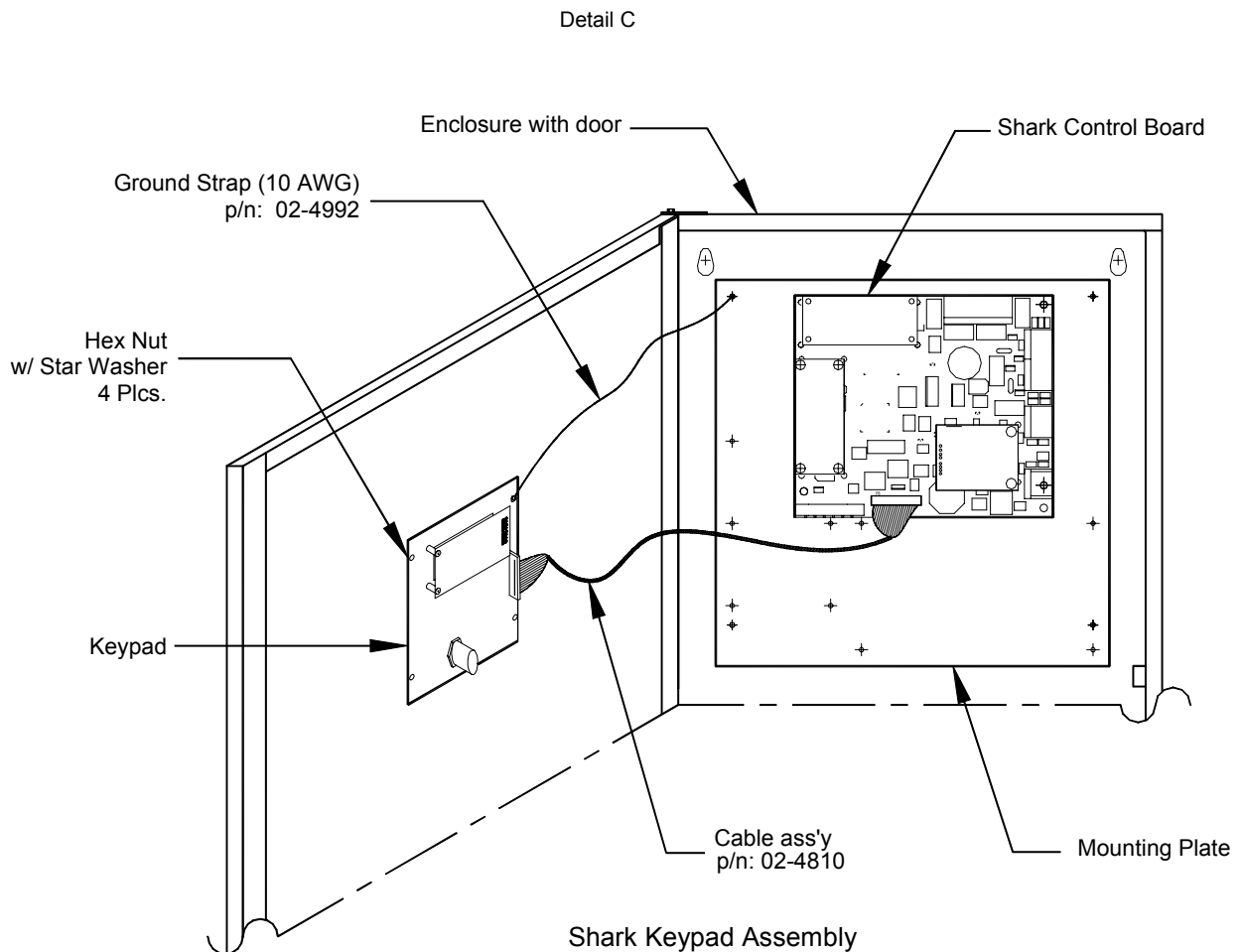
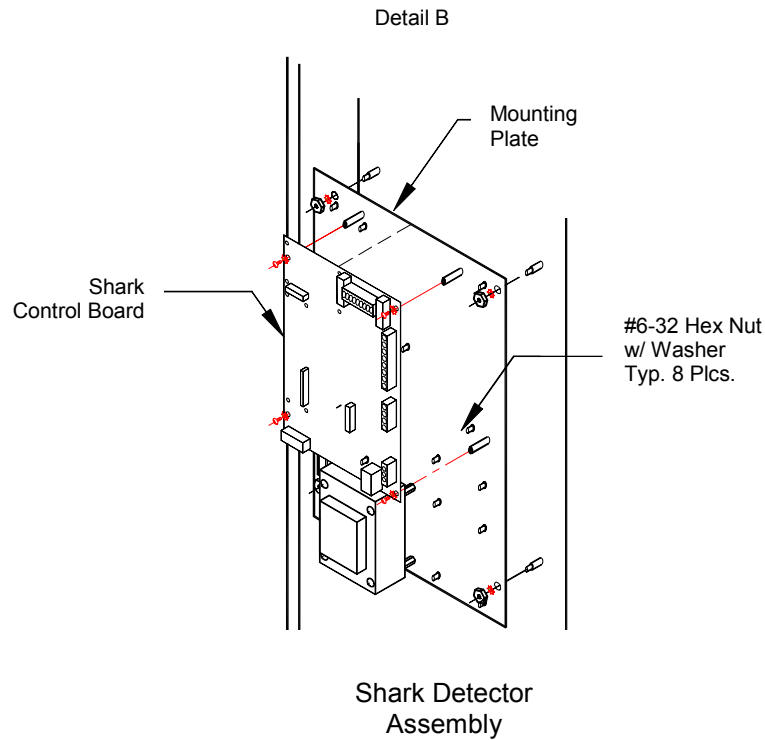
10-059-1 (-2) – Cheetah Control System

10-057-1 (-2) – Shark Control System

10-058-1 (-2) – SHP Control System

1. Attach mounting plate as shown in section 5.2.
 2. Attach transformer to mounting plate with standoff, washer, and screw (Detail A).
 3. Attach control panel to mounting plate with standoff, washer, and nut (Detail B).
- Note:** Do **NOT** install washer or hex nut on center standoff for SHP & Cheetah panel.
4. Attach keypad to enclosure door (Detail C/Shark only)
 5. Wire transformer (and Shark keypad if necessary) as described in the appropriate manual.



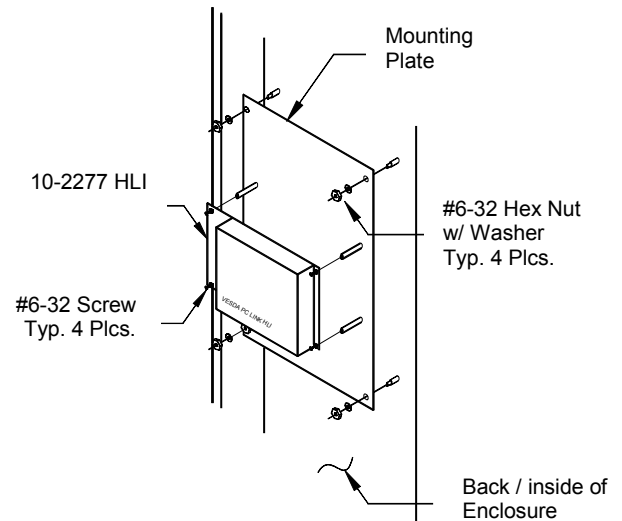


5.4.2 Optional Mounting Plate Assemblies

These plate assemblies provide an easy way of attaching control boards, modules or batteries to the expanded enclosure. Refer to Section 3.1 for product information. Mounting hardware for the plate as well as the electronic component the plate supports is included in the plate assembly. All plates are mounted flush against the back box to the 6-32 threaded press stud. Secure the plates with the lock washers and hex nuts provided as shown in section 5.2.

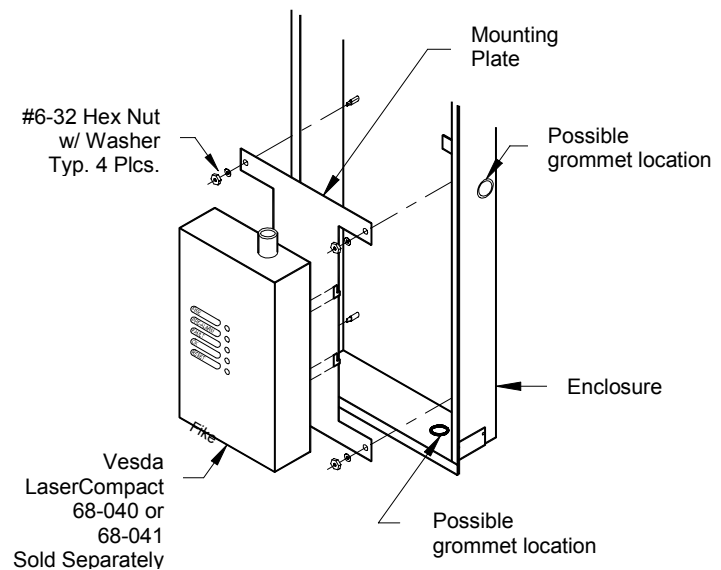
10-2345 - High Level Interface Assembly

Attach mounting plate to enclosure using the hex nuts and washers provided. Secure Cheetah/VESDA HLI with screws and washers at each corner as shown.



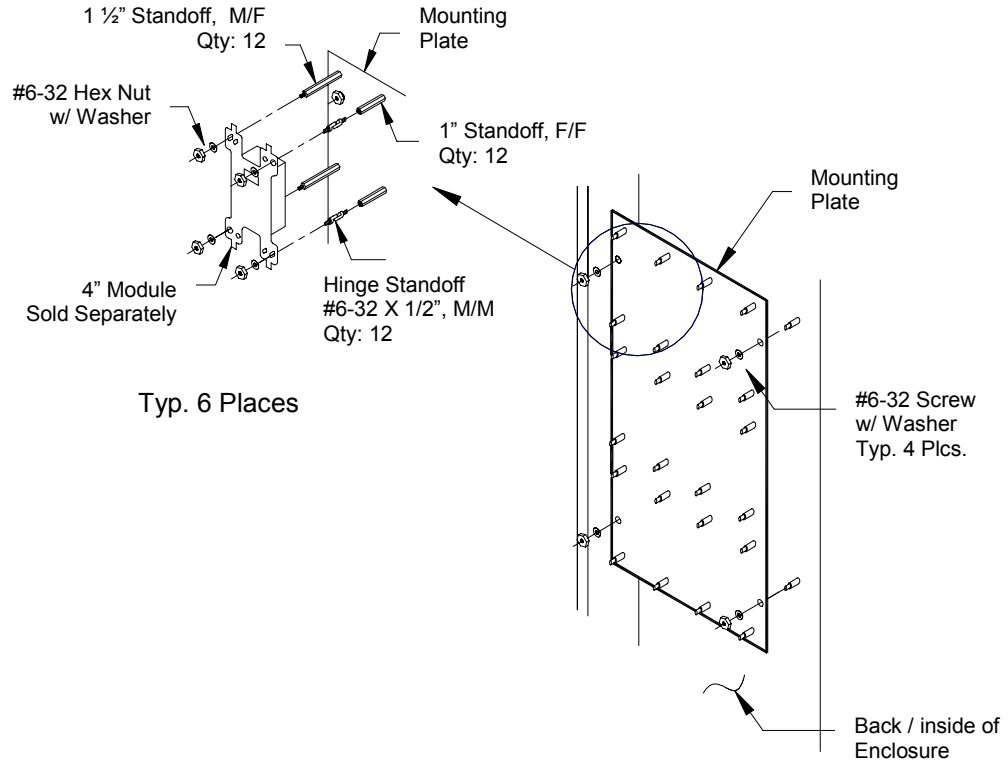
10-2346 - VESDA LaserCompact Mounting Plate

The Compact unit can only be mounted in the bottom bay of the 2-bay enclosure and the middle or bottom bay of the 3-bay enclosure. Determine the direction of the VESDA Compact unit (sold separately) before installing the mounting plate (can be mounted up or down). Mount with side tab facing up or down to support direction of compact. Attach to enclosures with hex nut and washers as shown. Grommet should be inserted in hole provided on enclosure to support exhaust requirements.



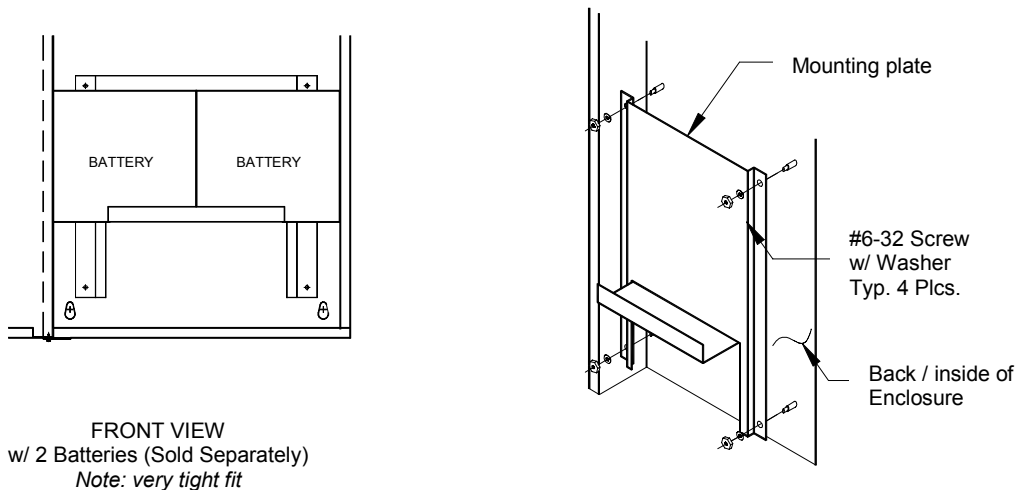
10-2347 - Addressable Module Mounting Plate

Attach mounting plate to enclosure using the hex nuts and washers provided. When attaching modules (sold separately) use 1 1/2" standoffs on one side of module and the 1" standoff with the 1/2" hinged standoff on the other side as shown. Module hardware is provided with plate assembly.
 Note: Module covers will not fit when using all locations



10-2348 - Battery Mounting Plate

Attach plate to bottom bay of enclosure using the hex nut and star washers provided. The plate is offset from the back box for wire clearance. (Batteries sold separately)





704 South 10th Street
P.O. Box 610
Blue Springs, Missouri 64013 U.S.A.
(816) 229-3405
Fax: (816) 229-5082
<http://www.fike.com>