



10-1641 REMOTE RESET SWITCH INSTALLATION INSTRUCTIONS

An ISO 9001:2008 Company



DESCRIPTION

The Remote Reset switch is an accessory unit for use with Fike's addressable control panels. The assembly consists of a keyed, momentary two-position switch, normally-open contact block, and stainless steel switch plate with adhesive label. The switch is used to allow resetting of the control unit from a remote location.

APPLICATION

To reset the control panel, the operator must simply insert the key and turn the switch in a clockwise direction. Upon release of the key, the spring loaded switch will return to its original position.

SPECIFICATIONS

- Operating temperature: 0°C to 49°C (32°F to 120°F)
- Operating humidity: 93% RH, non-condensing
- Weight: 0.45 lb. (204 grams)
- Mounting: Two-gang masonry box (RACO 691) or equivalent with a minimum depth of 2.125 inch (54 mm)
Electrical box not included.
- For indoor use only

ORDERING INFORMATION

Part Number	Description
10-1641	Remote Reset switch assembly
10-1423 ¹	Remote Reset switch
02-2150 ²	Contact Block, normally open (NO)
02-2141 ²	Adhesive Label, Remote Reset
10-104	Stainless Steel Face Plate w/ mtg. screws
10-1419 ¹	Stainless Steel Face Plate
02-2316 ¹	Mounting Screws (4 required)
02-4192 ²	Key, #0
02-2153	2-Gang Masonry Box, RACO 691

¹Included in 10-1641 switch assembly.
²Included in 10-1423 switch assembly.

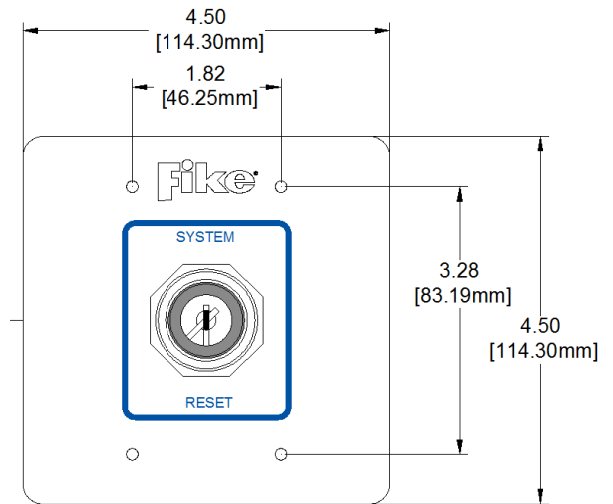


Figure 1 Switch Front View (inches/mm)

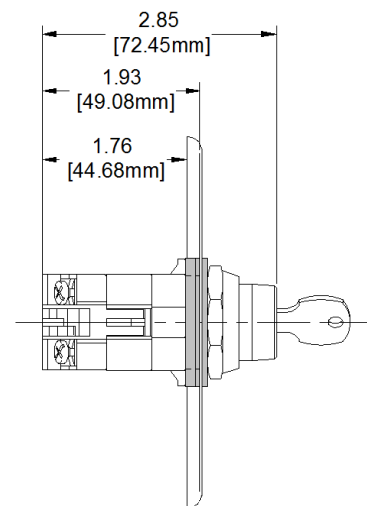


Figure 2 Switch Side View (inches/mm)

SWITCH ASSEMBLY

The remote reset switch components are shipped disassembled and must be assembled prior to installation using the following instructions. See Figure 3 for switch assembly diagram.

1. Remove protective plastic film from stainless steel face plate and apply adhesive label, orientated as shown in Figure 1.
2. Remove locking ring bezel from switch base.
3. Remove single anti-rotation ring washer from the switch base.
4. From the backside of the face plate, insert switch base through the mounting hole provided.
5. Install anti-rotation ring washer removed in Step 3 over the switch base as it protrudes through the front side of the face plate.
6. Install and hand tighten locking ring bezel (45 in-lb.).
7. Install contact blocks to switch base.

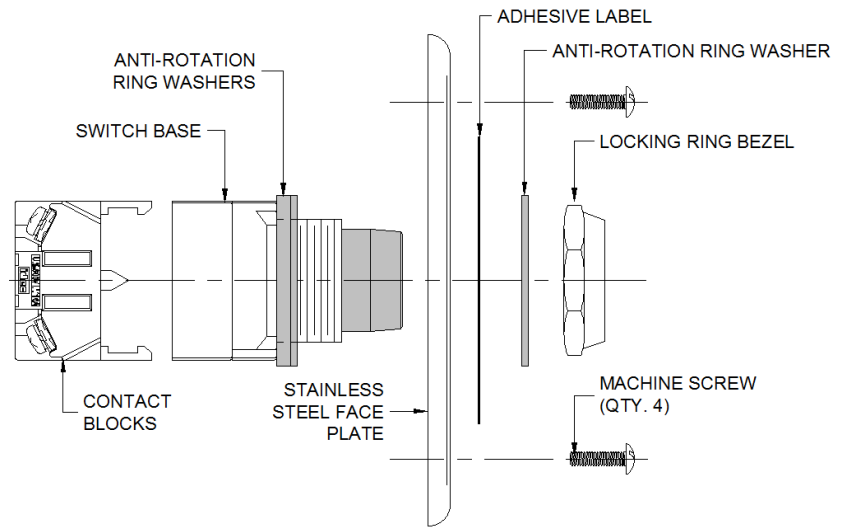


Figure 3 Switch Assembly

SWITCH INSTALLATION



WARNING: *If installing the switch in an operational system: 1) Power down the system by removing all power sources feeding the control unit (AC and DC).*

The mounting location for the switch should be free from excessive vibration, dust, and moisture.

1. Install mounting box (recess or surface mount), as shown in Figure 4.
2. Pull field wiring into mounting box.
3. Connect field wiring to contact blocks. See Figure 5 for wiring diagrams.
4. Secure stainless steel faceplate to mounting box with supplied machine screws.
5. Reapply power and test switch operation.
6. Store switch keys in a secure location.

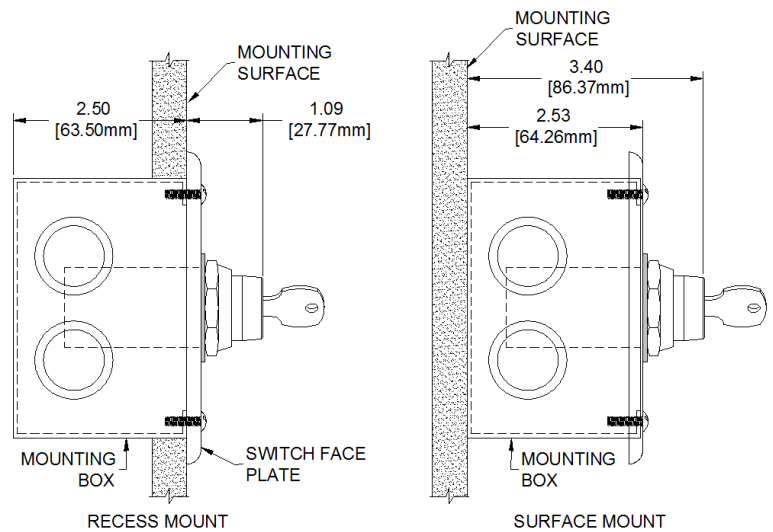
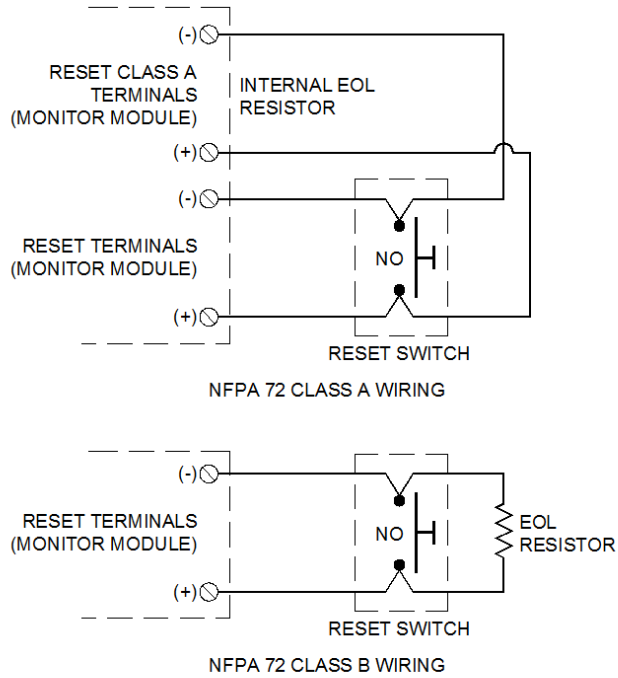


Figure 4 Mounting Options

SWITCH WIRING



SEE CONTROL UNIT MANUAL FOR SPECIFIC WIRING REQUIREMENTS.

Figure 5 Typical Switch Wiring

Warranty

Fike provides a one-year limited manufacturer's warranty on this product. All warranty returns must be returned from an authorized Fike Distributor. Contact Fike's Marketing department for further warranty information.

Fike maintains a repair department that is available to repair and return existing electronic components or exchange/purchase previously repaired inventory components (advance replacement). All returns must be approved prior to return. A Material Return Authorization (MRA) number must be indicated on the box of the item being returned. Contact the appropriate Regional Sales Manager for further information regarding product return procedures.

Limitations of Liability

Installation in accordance with this document, applicable codes, and the instructions of the Authority having jurisdiction is mandatory. Fike cannot be held liable for an incidental or consequential damages arising from the loss of property or other damages or losses resulting from the used or misuse of Fike products beyond the cost of repair or replacement of any defective components. Fike reserves the right to make product improvements and change product specifications at any time.

While every precaution has been taken during the preparation of this document to ensure the accuracy of its content, Fike assumes no responsibility for errors or omissions.

Fike, 704 SW 10th Street, P.O. Box 610, Blue Springs, Missouri 64013-0610 U.S.A. • Tel: (816) 229-3405 • Fax: (816) 229-4615 • www.fike.com
Offices: Belgium • Brazil • Canada • Dubai • France • Germany • India • Italy • Japan • Malaysia • Spain • United Kingdom • United States