



DESCRIPTION

The Manual Release/Remote Reset switch is an accessory unit for use with Fike's addressable Fire Suppression control panels. It offers a pleasing, practical means of mounting a suppression system Manual Release and Reset switch in a common location. The Manual Release switch consists of a latching, dual-action push button switch with keyed reset, safety clip with security tie, normally-open contact block, safety clip with security tie, and adhesive label. The Remote Reset switch consists of a keyed, momentary two-position switch, normally-open contact block, and adhesive label. The switches mount to a common stainless steel faceplate.

APPLICATION

The Manual Release switch is used to manually initiate the release of the suppression system, overriding any active abort switch inputs. To operate the switch, the operator must first pull the spring safety clip (breaking the seal), and then press the push button. The switch will remain engaged until released by unlocking the active switch with a key. This provides positive indication of switch activation. The Remote Reset switch is used to allow resetting of the control unit from a remote location. To reset the control panel, the operator must simply insert the key and turn the switch in a clockwise direction. Upon release of the key, the spring loaded switch will return to its original position.

SPECIFICATIONS

- Operating temperature: 0°C to 49°C (32°F to 120°F)
- Operating humidity: 93% RH, non-condensing
- Weight: 0.95 lb. (431 grams)
- Mounting: Four-gang masonry box (RACO 693) or equivalent with a minimum depth of 2.5 inch (64 mm)
Electrical box not included.
- For indoor use only

ORDERING INFORMATION

Part Number	Description
10-1645	Manual Release/Remote Reset switch assy.
10-1422 ¹	Manual Release switch
10-1423 ¹	Reset switch
02-2150 ^{2,3}	Contact Block, normally open (NO)
02-2213 ²	Security Tie (beaded cable)
02-2270 ²	Safety Clip
02-2139 ²	Adhesive Label, Manual Release
02-2141 ³	Adhesive Label, Reset
10-105	Stainless Steel Face Plate w/ mtg. screws
10-1372 ¹	Stainless Steel Faceplate
02-2316 ^{2,3}	Mounting Screws (4 required)
02-4192 ²	Key, #0
02-2123	4-Gang Masonry Box, RACO 693

¹Included in 10-1645 switch assembly.
²Included in 10-1422 switch assembly.
³Included in 10-1423 switch assembly.

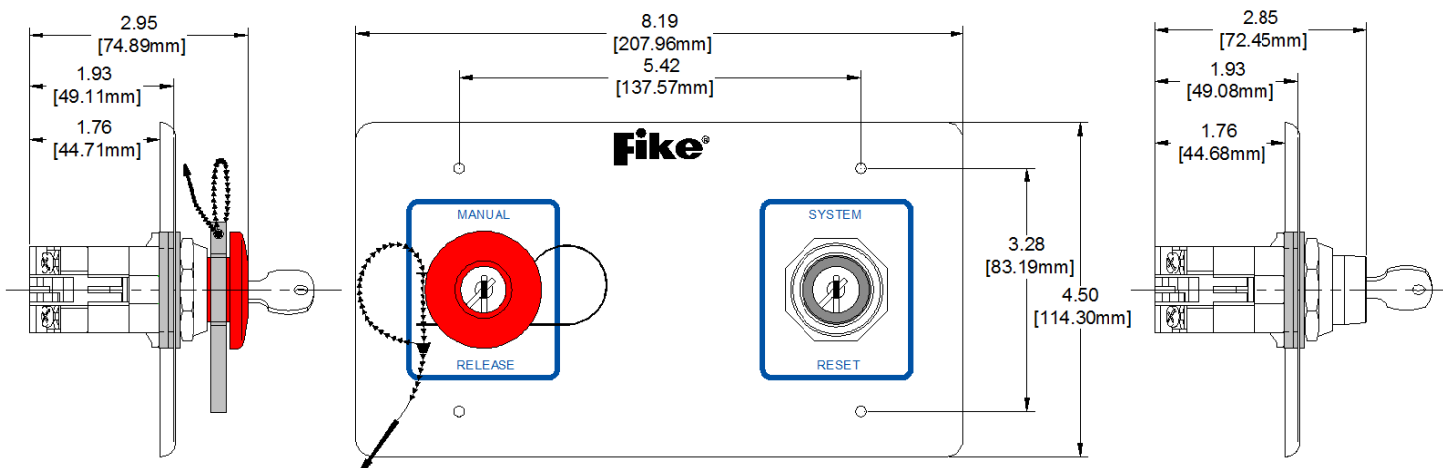


Figure 1 Switch Front and Side Views (inches/mm)

SWITCH ASSEMBLY

The switch components are shipped disassembled and must be assembled prior to installation using the following instructions.

Manual Release Switch

See Figure 2 for switch assembly diagram.

1. Remove protective plastic film from stainless steel face plate and apply the adhesive label, oriented as shown in Figure 1.
2. Remove locking ring bezel from switch base.
3. Remove single anti-rotation ring washer from the switch base.
4. From the backside of the face plate, insert switch base through the mounting hole provided.
5. Install anti-rotation ring washer removed in Step 3 over the switch base as it protrudes through the front side of the face plate.
6. Install and hand tighten lock ring bezel (45 in-lb.).
7. Install and hand tighten mushroom head (15 in-lb.). Safety clip and security tie should be attached after testing. See Switch Installation.
8. Install contact blocks to switch base.

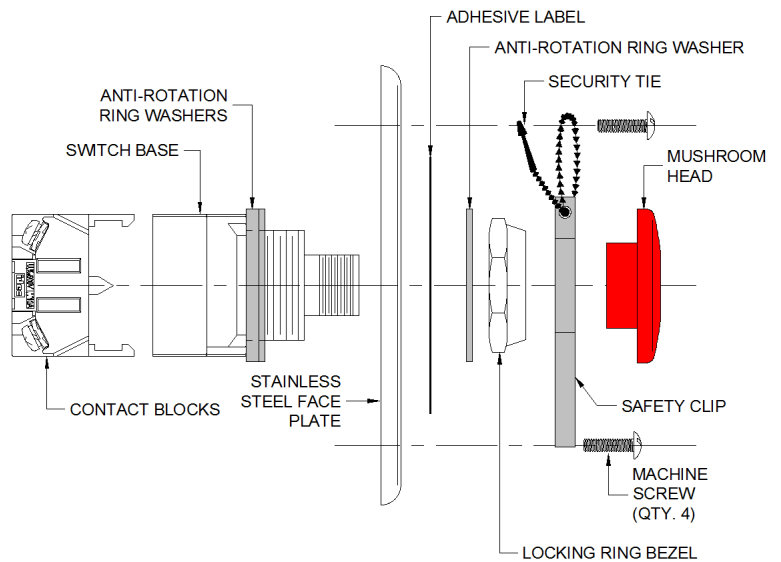


Figure 2 Manual Release Switch Assembly

Remote Reset Switch

See Figure 3 for switch assembly diagram.

1. Apply adhesive label to the stainless steel face plate, orientated as shown in Figure 1.
2. Remove locking ring bezel from switch base.
3. Remove single anti-rotation ring washer from the switch base.
4. From the backside of the face plate, insert switch base through the mounting hole provided.
5. Install anti-rotation ring washer removed in Step 3 over the switch base as it protrudes through the front side of the face plate.
6. Install and hand tighten locking ring bezel (45 in-lb.).
7. Install contact blocks to switch base.

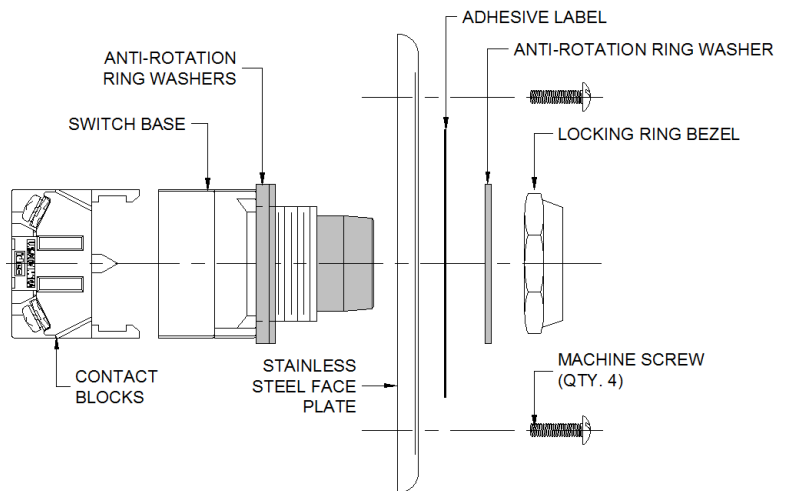


Figure 3 Remote Reset Switch Assembly

SWITCH INSTALLATION



WARNING: *If installing the switch in an operational system: 1) Disconnect the releasing mechanism from all suppression cylinders/containers prior to installation to prevent accidental system discharge. 2) Power down the system by removing all power sources feeding the control unit (AC and DC).*

The mounting location for the switch should be free from excessive vibration, dust, and moisture.

1. Install mounting box (recess or surface mount), as shown in Figure 4.
2. Pull field wiring into mounting box.
3. Connect field wiring to contact blocks. See Figures 5 and 6 for wiring diagrams.
4. Secure stainless steel faceplate to mounting box with supplied machine screws.
5. Reapply power and test switch operation prior to reconnecting releasing mechanism to all suppression cylinders/containers.
6. Install the safety clip onto manual release switch between mushroom head and locking ring bezel, as shown in Figure 2.
7. Install beaded security tie through holes provided in safety clip. Pull tight making sure the safety clip is held firmly in place preventing the red mushroom head from being pressed without removal of the safety clip.
8. Store switch reset keys in a secure location.

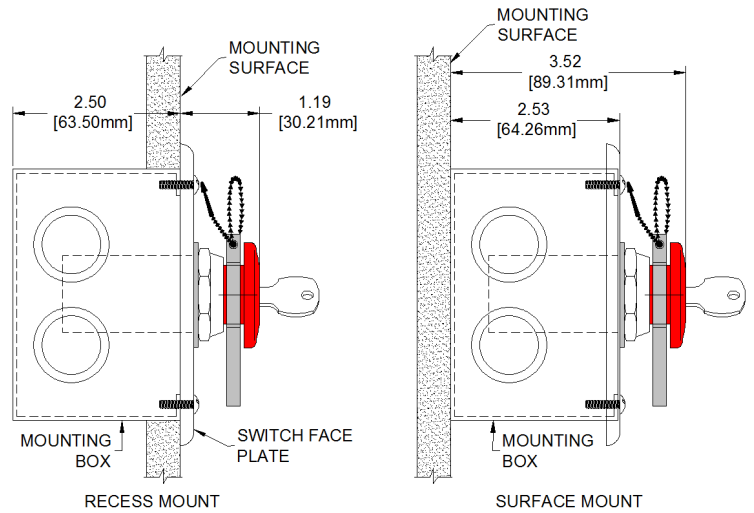
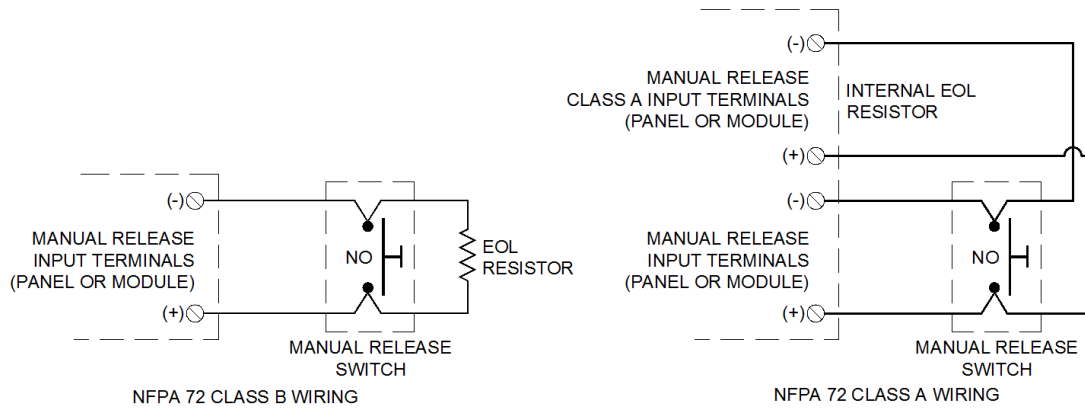


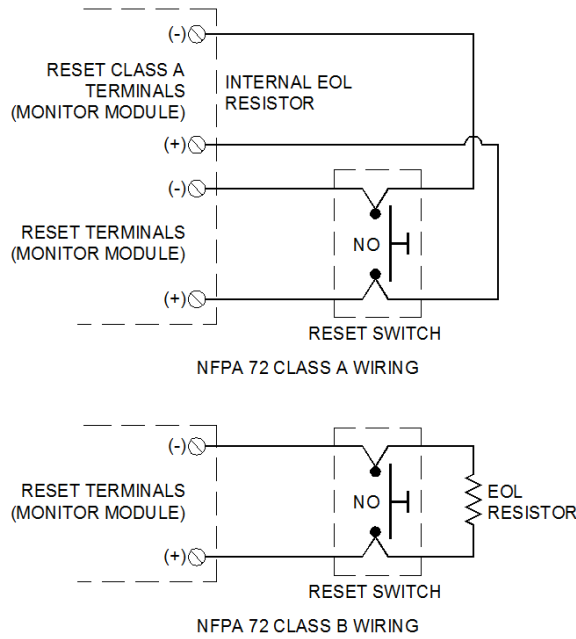
Figure 4 Mounting Options

SWITCH WIRING



SEE CONTROL UNIT MANUAL FOR SPECIFIC WIRING REQUIREMENTS.

Figure 5 Typical Manual Release Switch Wiring



SEE CONTROL UNIT MANUAL FOR SPECIFIC WIRING REQUIREMENTS.

Figure 6 Typical Reset Switch Wiring

Warranty

Fike provides a one-year limited manufacturer's warranty on this product. All warranty returns must be returned from an authorized Fike Distributor. Contact Fike's Marketing department for further warranty information.

Fike maintains a repair department that is available to repair and return existing electronic components or exchange/purchase previously repaired inventory components (advance replacement). All returns must be approved prior to return. A Material Return Authorization (MRA) number must be indicated on the box of the item being returned. Contact the appropriate Regional Sales Manager for further information regarding product return procedures.

Limitations of Liability

Installation in accordance with this document, applicable codes, and the instructions of the Authority having jurisdiction is mandatory. Fike cannot be held liable for an incidental or consequential damages arising from the loss of property or other damages or losses resulting from the used or misuse of Fike products beyond the cost of repair or replacement of any defective components. Fike reserves the right to make product improvements and change product specifications at any time.

While every precaution has been taken during the preparation of this document to ensure the accuracy of its content, Fike assumes no responsibility for errors or omissions.