

MANUAL RELEASE SWITCH



FEATURES

- Compatible with Fike suppression control panels
- Stackable, screw-terminal, contact blocks
- Surface or flush mount
- Push-button switch with keyed reset
- Normally open contact block
- 304 stainless steel face plate with etched text

General

The manual release switch assembly is used to initiate release of the suppression system and override any active abort switch inputs.

Approvals

Underwriters Laboratories (UL)
 Factory Mutual (FM)
 California State Fire Marshal (CSFM)

For exact certification listings, please reference the respective agency web site.

Ordering Information

Part Number	Description
10-2963	Manual Release Switch Assembly
10-2982 ¹	Manual Release Switch
10-2964 ¹	304 Stainless Steel Faceplate
02-16365 ²	Contact Block, Normally Open (NO)
02-16367 ²	Dummy Contact Block
02-2213 ²	Security Tie (beaded cable)
02-16376 ²	Safety Clip
02-2316 ²	Mounting Screws (4 required)
02-13170 ²	Key, #0
02-4780 ²	Contact Block Adapter
02-16401 ²	Anti-Rotation Ring
02-16402 ²	Locking Lever Cap
02-12318	Locking Ring Wrench
02-16369 ³	30mm to 22mm Trim Ring
02-2153	2-Gang Masonry Box, RACO 691

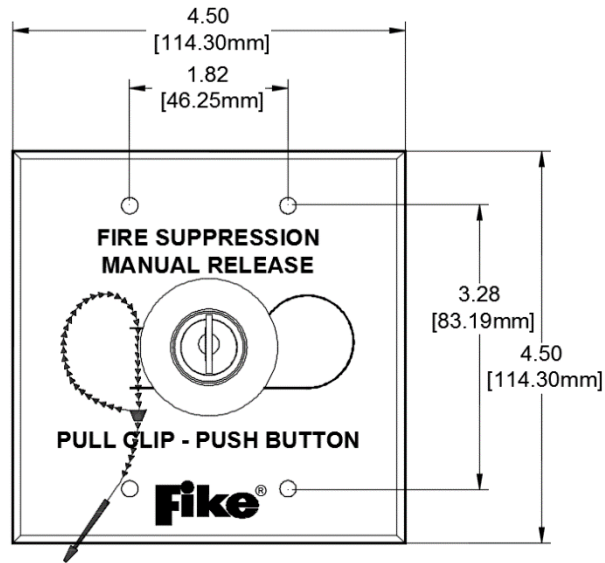
¹Included in 10-2963 switch assembly.
²Included in 10-2982 switch assembly.
³Allows 22mm switch to be mounted to a 30mm switch face plate.

Specifications

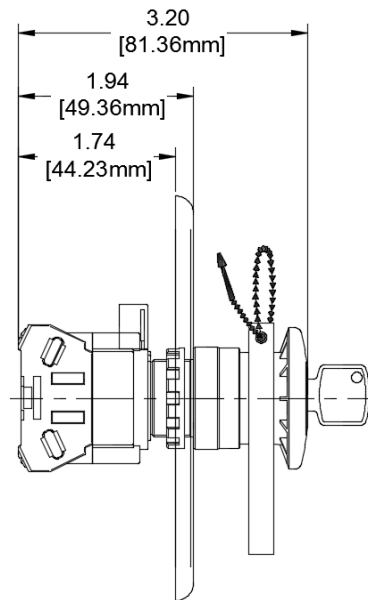
Operating Temperature:	0°C to 49°C (32°F to 120°F)
Operating Humidity:	93% RH, non-condensing
Weight:	0.35 lb. (158 grams)
Mounting:	2-gang masonry box (RACO 691) or equivalent. For indoor use only.
Contact Block Rating:	30VDC @ 5 AMPS
Applicable Wire Size:	Minimum 1 x 22 AWG, max 2 x 14 AWG or 1 x 12 AWG
Compliance:	Restriction of Hazardous Substances (RoHS)

This document is only intended to be a guideline and is not applicable to all situations. Information is subject to Fike's full disclaimer at <http://www.fike.com/disclaimer>.

Product Diagram/Dimensions



Switch Front View



Switch Side View

This document is only intended to be a guideline and is not applicable to all situations. Information is subject to Fike's full disclaimer at <http://www.fike.com/disclaimer>.