



# 10-1638 MANUAL RELEASE SWITCH INSTALLATION INSTRUCTIONS

An ISO 9001:2008 Company



## DESCRIPTION

The Manual Release switch is an accessory unit for use with Fike's Fire Suppression control panels. The assembly consists of a latching, dual-action push button switch with keyed reset, normally-open contact block, safety clip with security tie, and stainless steel switch plate with adhesive label. The switch is used to manually initiate the release of the suppression system, overriding any active abort switch inputs.

## APPLICATION

To operate the switch, the operator must first pull the spring safety clip (breaking the seal), and then press the push button. The switch will remain engaged until released by unlocking the active switch with a key. This provides positive indication of switch activation.

## SPECIFICATIONS

- Operating temperature: 0°C to 49°C (32°F to 120°F)
- Operating humidity: 93% RH, non-condensing
- Weight: 0.45 lb. (204 grams)
- Mounting: Two-gang masonry box (RACO 691) or equivalent with a minimum depth of 2.125 inch (54 mm)  
*Electrical box not included.*
- For indoor use only

## ORDERING INFORMATION

Part Number	Description
10-1638	Manual Release switch assembly
10-1422 <sup>1</sup>	Manual Release switch
02-2150 <sup>2</sup>	Contact Block, normally open (NO)
02-3027 <sup>2</sup>	Dummy Contact Block
02-2213 <sup>2</sup>	Security Tie (beaded cable)
02-2270 <sup>2</sup>	Safety Clip
02-2139 <sup>2</sup>	Adhesive Label, Manual Release
10-104	Stainless Steel Face Plate w/ mtg. screws
10-1419 <sup>1</sup>	Stainless Steel Faceplate
02-2316 <sup>2</sup>	Mounting Screws (4 required)
02-4192 <sup>2</sup>	Key, #0
02-2153	2-Gang Masonry Box, RACO 691

<sup>1</sup>Included in 10-1638 switch assembly.  
<sup>2</sup>Included in 10-1422 switch assembly.

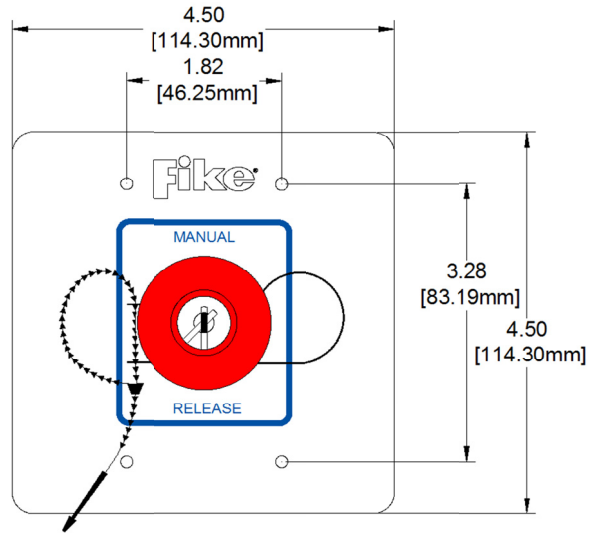


Figure 1 Switch Front View (inches/mm)

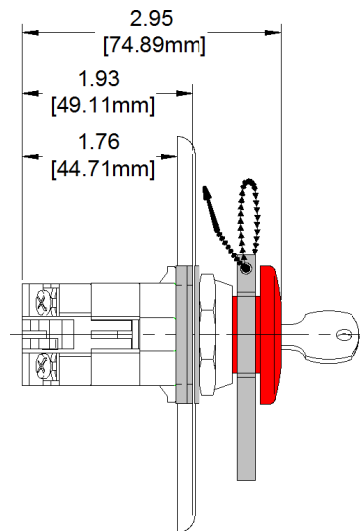


Figure 2 Switch Side View (inches/mm)

## SWITCH ASSEMBLY

The manual release switch components are shipped disassembled and must be assembled prior to installation using the following instructions. See Figure 3 for switch assembly diagram.

1. Remove protective plastic film from stainless steel face plate and apply the adhesive label, oriented as shown in Figure 1.
2. Remove locking ring bezel from switch base.
3. Remove single anti-rotation ring washer from the switch base.
4. From the backside of the face plate, insert switch base through the mounting hole provided.
5. Install anti-rotation ring washer removed in Step 3 over the switch base as it protrudes through the front side of the face plate.
6. Install and hand tighten lock ring bezel (45 in-lb.).
7. Install and hand tighten mushroom head (15 in-lb.).
8. Do not install safety clip and security tie until testing is complete. See Switch Installation.
9. Install contact blocks to switch base.

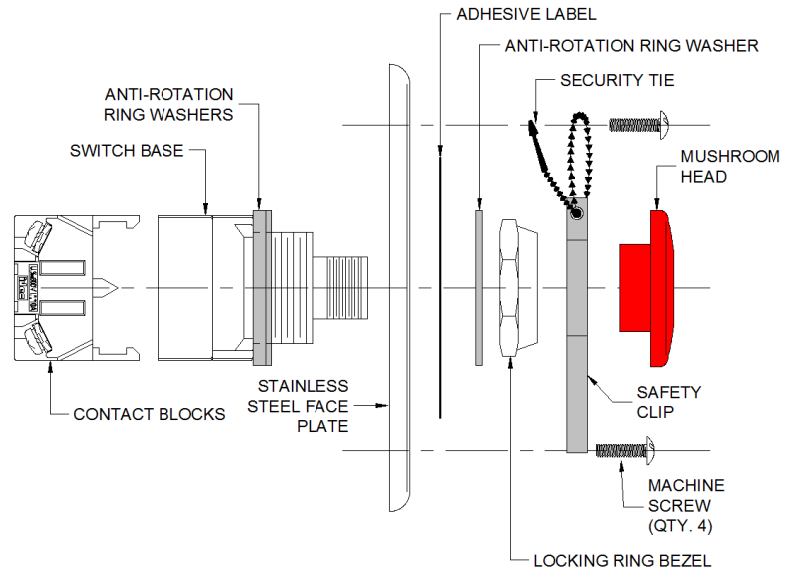


Figure 3 Switch Assembly

## SWITCH INSTALLATION

**STOP** **WARNING:** *If installing the switch in an operational system: 1) Disconnect the releasing mechanism from all suppression cylinders/containers prior to installation to prevent accidental system discharge. 2) Power down the system by removing all power sources feeding the control unit (AC and DC).*

The mounting location for the switch should be free from excessive vibration, dust, and moisture.

1. Install mounting box (recess or surface mount), as shown in Figure 4.
2. Pull field wiring into mounting box.
3. Connect field wiring to contact blocks. See Figure 5 for wiring diagrams.
4. Secure stainless steel faceplate to mounting box with supplied machine screws.
5. Reapply power to the system and test switch operation prior to reconnecting releasing mechanism to all suppression cylinders/containers.
6. Install the safety clip between mushroom head and locking ring bezel, as shown in Figure 3.
7. Install beaded security tie through holes provided in safety clip. Pull tight making sure the safety clip is held firmly in place preventing the red mushroom head from being pressed without removal of the safety clip.
8. Store switch keys in a secure location.

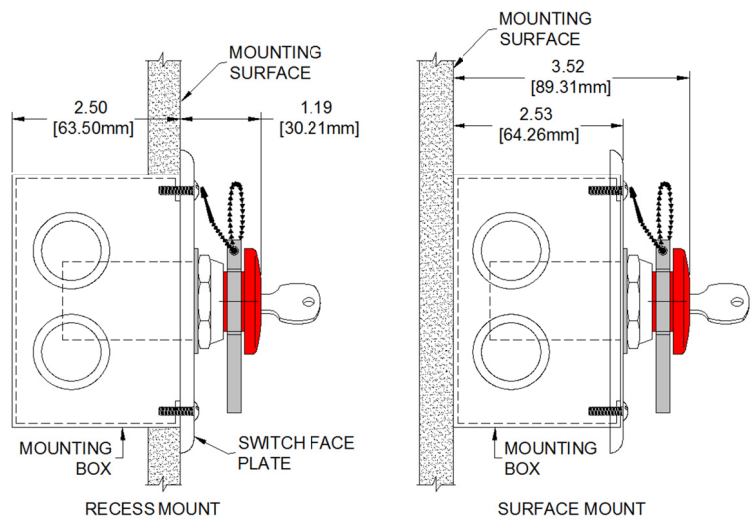
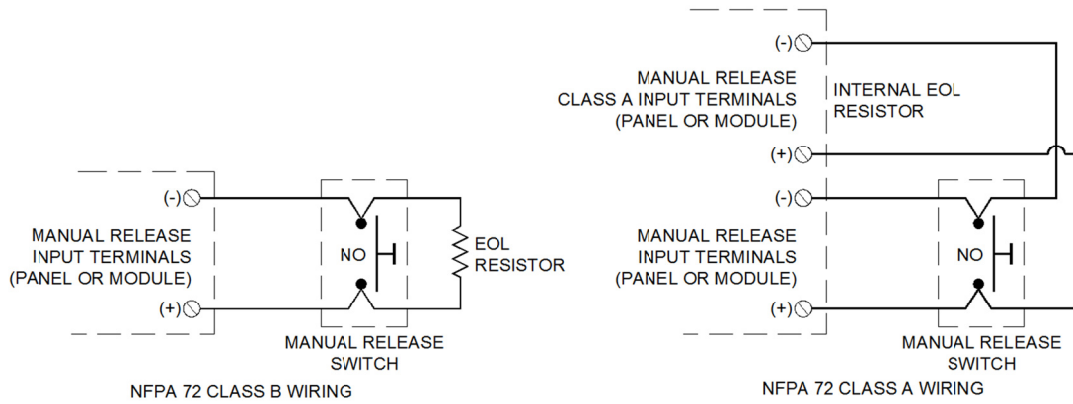


Figure 4 Mounting Options

# SWITCH WIRING



SEE CONTROL UNIT MANUAL FOR SPECIFIC WIRING REQUIREMENTS.

**Figure 5 Typical Switch Wiring**

---

**Warranty**

Fike provides a one-year limited manufacturer's warranty on this product. All warranty returns must be returned from an authorized Fike Distributor. Contact Fike's Marketing department for further warranty information.

Fike maintains a repair department that is available to repair and return existing electronic components or exchange/purchase previously repaired inventory components (advance replacement). All returns must be approved prior to return. A Material Return Authorization (MRA) number must be indicated on the box of the item being returned. Contact the appropriate Regional Sales Manager for further information regarding product return procedures.

**Limitations of Liability**

Installation in accordance with this document, applicable codes, and the instructions of the Authority having jurisdiction is mandatory. Fike cannot be held liable for an incidental or consequential damages arising from the loss of property or other damages or losses resulting from the used or misuse of Fike products beyond the cost of repair or replacement of any defective components. Fike reserves the right to make product improvements and change product specifications at any time.

While every precaution has been taken during the preparation of this document to ensure the accuracy of its content, Fike assumes no responsibility for errors or omissions.

---

Fike, 704 SW 10<sup>th</sup> Street, P.O. Box 610, Blue Springs, Missouri 64013-0610 U.S.A. • Tel: (816) 229-3405 • Fax: (816) 229-4615 • [www.fike.com](http://www.fike.com)  
Offices: Belgium • Brazil • Canada • Dubai • France • Germany • India • Italy • Japan • Malaysia • Spain • United Kingdom • United States