

HEB Weatherproof Camera Housing



Features

- IP66/IP67 (with cable glands or optional sealing strips)
- Slide-extractable body with hinged system
- Pre-arranged for internal cable management bracket
- Available accessories: heater, blower and air filter

General

The HEB camera housing is a robust and large aluminum housing designed to fit combinations of 1/2", 1/3" and 1/4" cameras, with different types of optics. The frontal opening system allows an easy access to the camera and all internal connections. A wide range of accessories for mounting the equipment is available thereby satisfying all installation needs.

Ordering

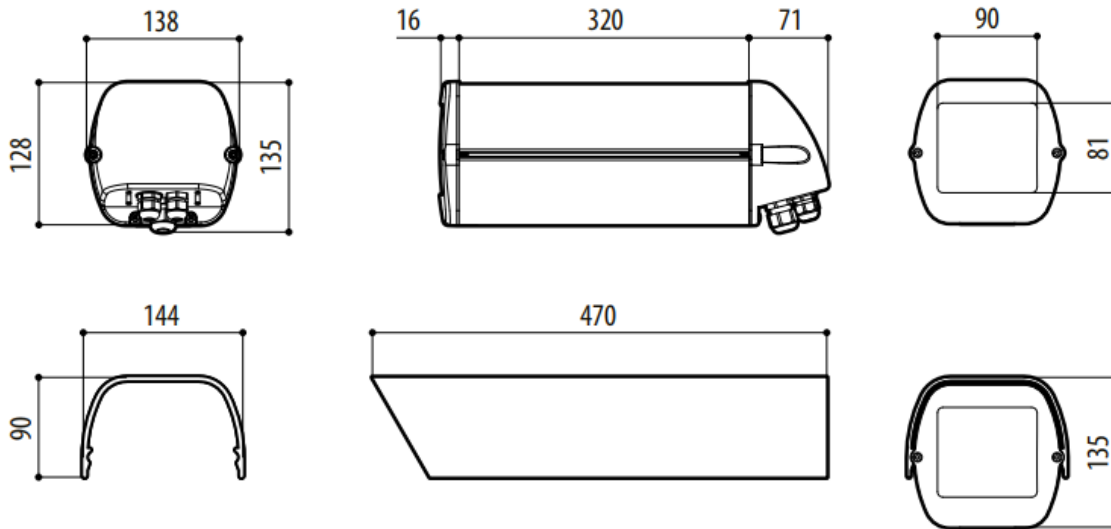
Model/Part Number	Sunshield	Heater 120Vac/ 30Vac	Heater 12Vdc/24Vac	Max consumption
HEB32K1A000B	✓	✓	-	40W
HEB32K2A000B	✓	-	✓	20W
HEB32K0A000B	✓	-	-	-

Specifications

General
Aluminum back and front cover plates
Extruded aluminum body, external slide and sunshield
Epoypolyester powder painting, RAL9002 colour
Stainless steel external screws
Mechanical
Cable glands: 3xM16
Glass window extra clear
-Dimensions (WxH): 90x81mm (3.5x3.2in)
Internal usable area (WxH): 90x85mm (3.5x3.3in)
Internal usable length (without accessories): 320mm (12.6in)
Internal usable length (with accessories): 250mm (9.8in)
Unit weight: 3.2kg (7.1lb)
Electrical
Heater (Ton 15°C±3°C(59°F±5°F), Toff 22°C±3°C(72°F±5°F)
-Power supply/Consumption: IN 12Vdc/24Vac, 20W max
-Power supply/Consumption: IN 120/230Vac, 40W max
Blower with thermostat and air filter, Ton 35°C±3°C(95°F±5°F), Toff 20°C±3°C(71°F±5°F) and back cover
-IN 12Vdc, consumption 4W max
-IN 24Vac, consumption 4W max
-IN 230Vac, consumption 4W max, complete with voltage transformer
Environment
For installation indoors or outdoors
Operating temperature with heater: from -20°C (-4°F)to +60°C (140°F)
Salty fog resistance to 1000 hours (ISO9227)
Certifications
CE EN61000-6-3, EN60065, EN50130-4
IP66/IP67 EN60529 with cable glands
IP66/IP67 EN60529 with special gaskets and bracket with internal cable channel
IP55 EN60529 with bracket with internal cable channel

This document is only intended to be a guideline and is not applicable to all situations. Information is subject to Fike's full disclaimer at <http://www.fike.com/disclaimer>.

Housing Dimensions (mm)



Accessories

Model/Part Number	Description
OHEBVF3	Blower with thermostat and air filter IN 24Vac, for HEB housing
WBMA	Wall bracket with ball joint
WCM3A	Ceiling bracket with ball joint
WFWCA	Column bracket with joint



WBMA

Made of Aluminum
Fully adjustable swivel head
Load Rating: 25kg (55lb)
Length: 204mm (8in)
Unit weight: 0.5kg (1.1lb)



WCM3A

Made of aluminum
Fully adjustable swivel head
Load rating: 15kg (33.5lb)
Length: 300mm (11.8in)
Unit weight: 1.8kg (4lb)



WFWCA

Made of aluminum
Fully adjustable swivel head
Load rating: 15kg (33.5lb)
Length: 185mm (7.3in)
Unit weight: 0.5kg (1.1lb)

This document is only intended to be a guideline and is not applicable to all situations.
Information is subject to Fike's full disclaimer at <http://www.fike.com/disclaimer>.